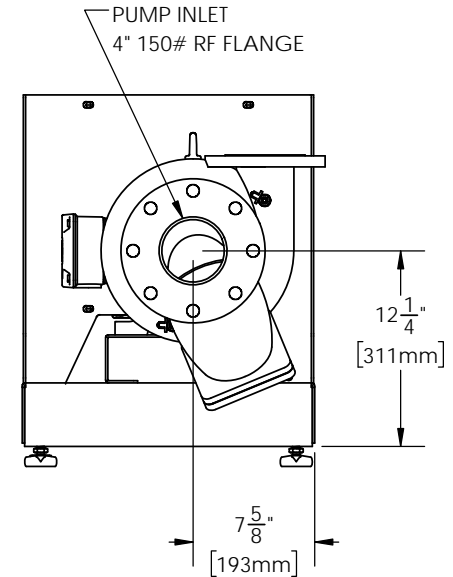
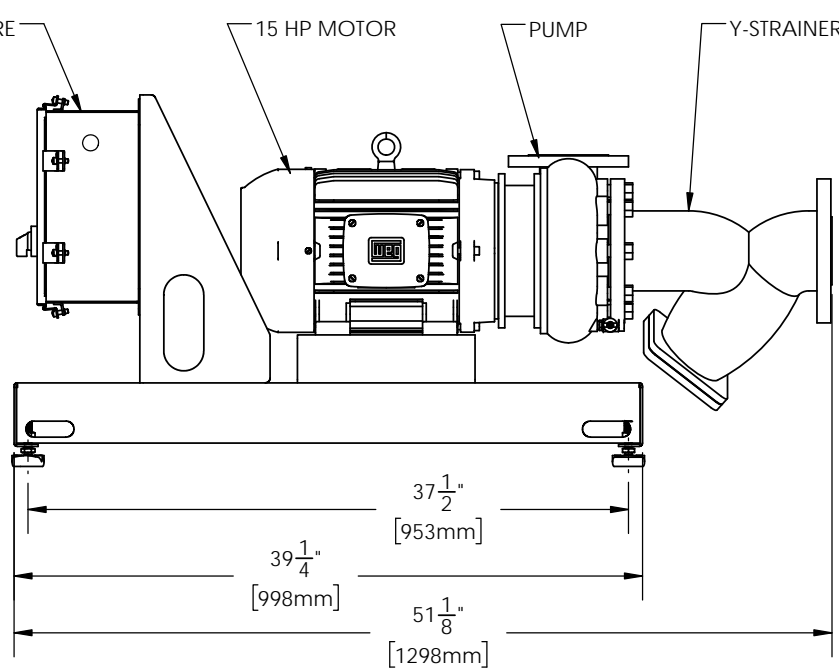
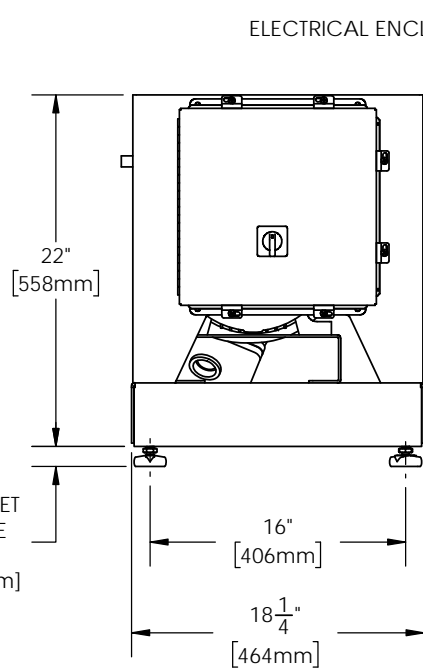
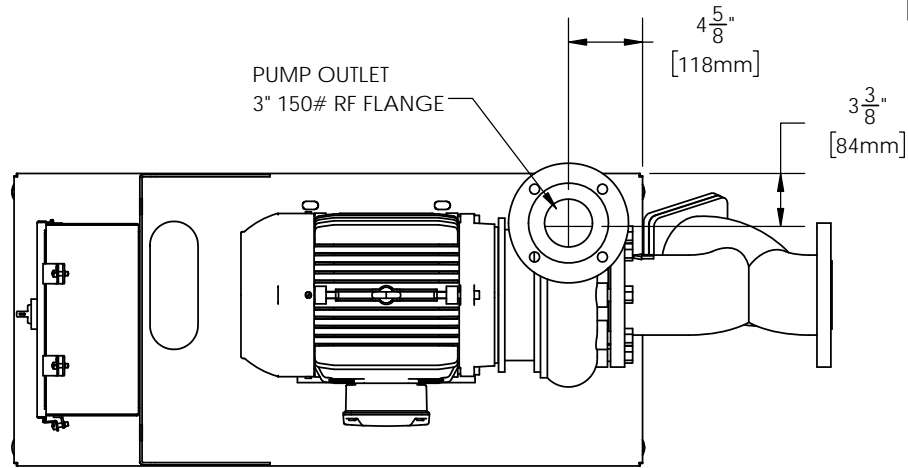


MODEL	APPROX. WEIGHT	
	LB	KG
SA00108-15HP	350	159



LEVELING FEET
ADJUSTABLE
1.5"-3.5"
[38mm-89mm]

PROPRIETARY AND CONFIDENTIAL
THE INFORMATION CONTAINED
IN THIS DRAWING IS THE SOLE
PROPERTY OF SIOUX CORP.
ANY REPRODUCTION IN PART OR
AS A WHOLE WITHOUT WRITTEN
PERMISSION OF SIOUX CORP
IS PROHIBITED.

UNLESS NOTED:
DIMENSIONS
INCHES
TOLERANCES
LINEAR: ± 0.025
[1/16]
ANGULAR: $\pm 2^\circ$

DRN WV 04-02-18
CHK MW 04-02-18
THIRD-ANGLE PROJECTION

SIOUX CORPORATION
ONE SIOUX PLAZA, BERESFORD, SD 57004

PUMPING STATION 15 HP
GA22402 PUMPING STATION 15 HP

REV.	DESCRIPTION	DATE	BY
A-03	UPDATED DIMS AND STRAINER DIRECTION	06/12/20	MW
A-02	UPDATED NOTES, DIMENSIONS	4/3/2018	WV
A-01	ORIGINAL	4/2/2018	WV

GA22402

REV **A-03** SH 1/1

DWG. NO. GA22402 REV. A-03 SHEET 1/1