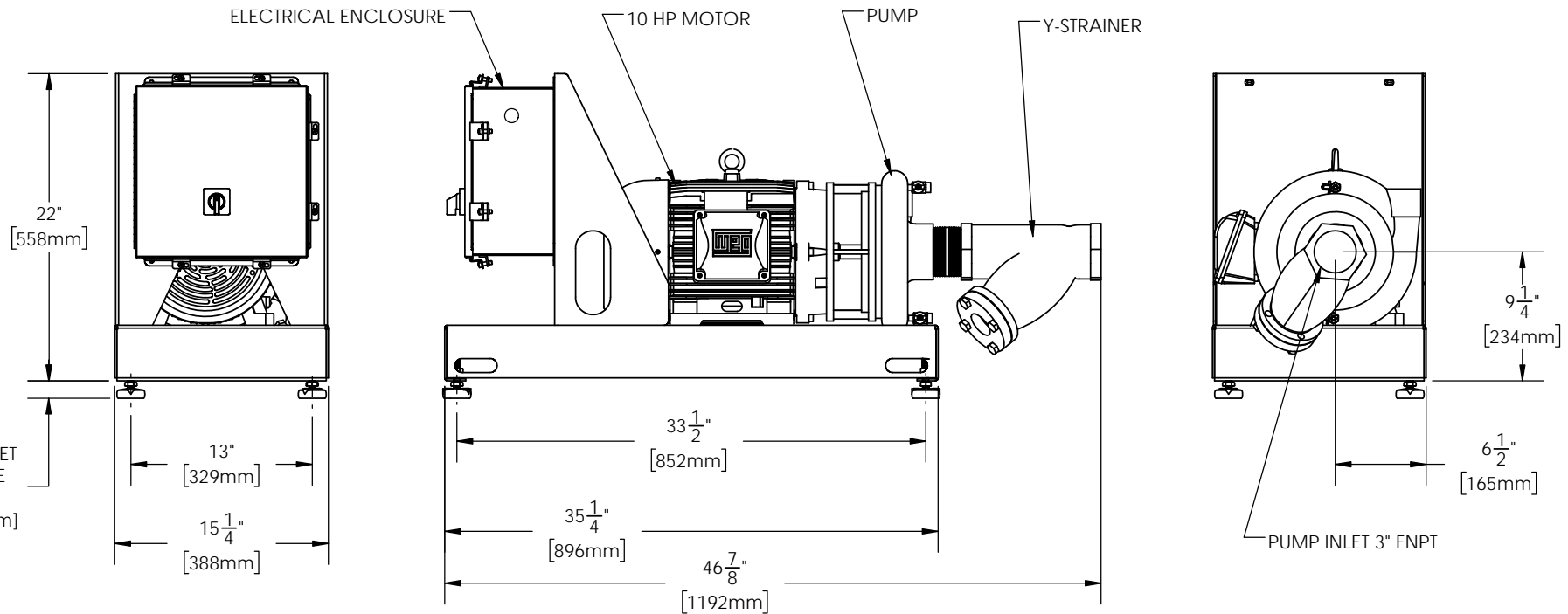
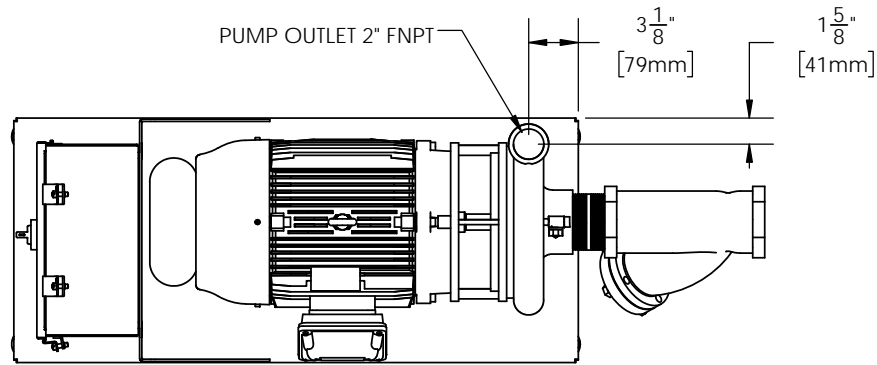


MODEL	APPROX. WEIGHT	
	LB	KG
SA00108-10HP	300	136



PROPRIETARY AND CONFIDENTIAL
 THE INFORMATION CONTAINED
 IN THIS DRAWING IS THE SOLE
 PROPERTY OF SIOUX CORP.
 ANY REPRODUCTION IN PART OR
 AS A WHOLE WITHOUT WRITTEN
 PERMISSION OF SIOUX CORP
 IS PROHIBITED.

UNLESS NOTED:
 DIMENSIONS
INCHES
 TOLERANCES
 LINEAR: ± 0.0625 [1/16]
 ANGULAR: $\pm 2^\circ$

DRN WV 04-02-18
 CHK MW 04-02-18
 THIRD-ANGLE PROJECTION

SIOUX CORPORATION

ONE SIOUX PLAZA, BERESFORD, SD 57004

PUMPING STATION 10 HP

GA22403 PUMPING STATION 10 HP

REV.	DESCRIPTION	DATE	BY
A-03	UPDATED DIMS AND STRAINER DIRECTION	06/12/20	MW
A-02	STRAINER DIRECTION	06/12/20	MW
A-01	ORIGINAL	4/3/2018	WV

GA22403

REV A-03

SH 1/1

DWG NO GA22403 REV A-03 SHEET 1/1