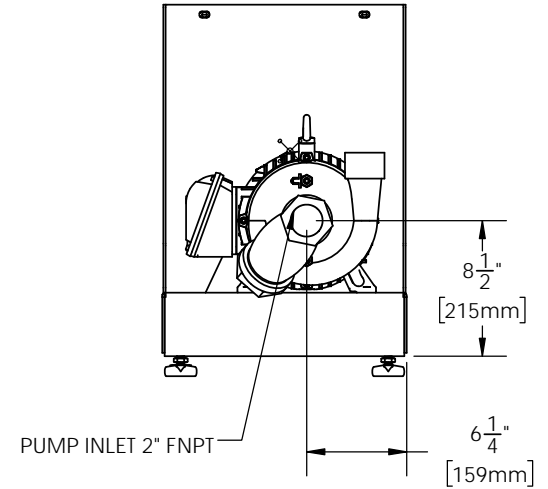
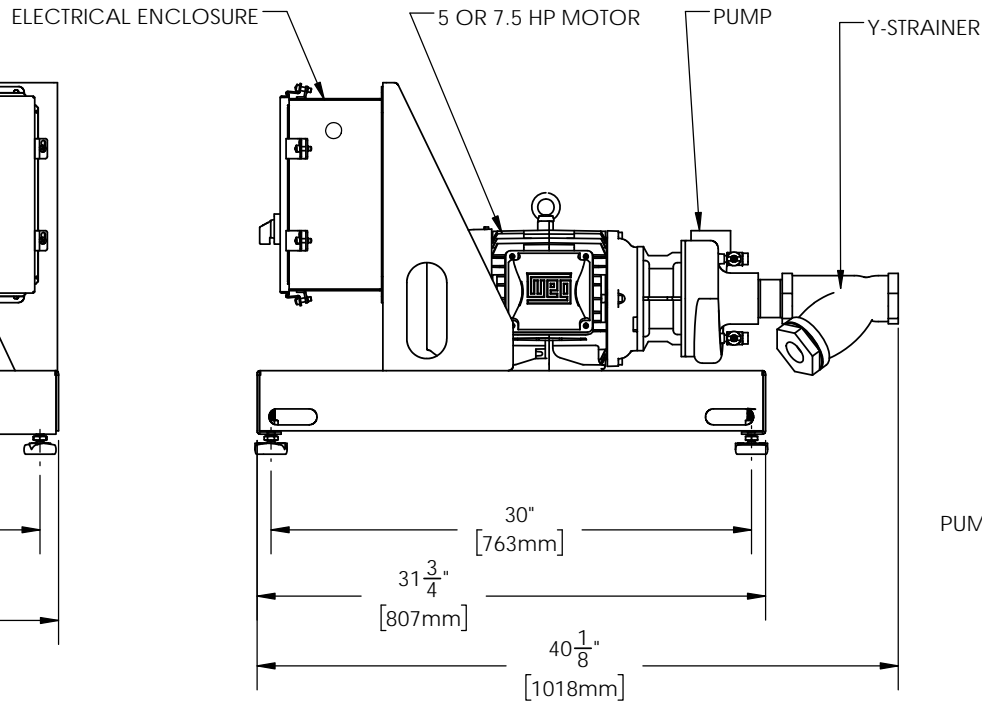
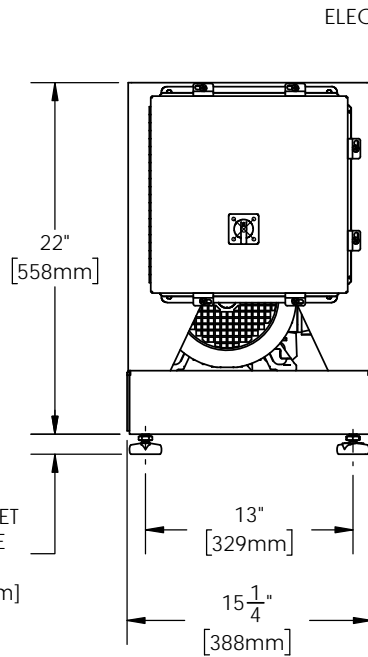
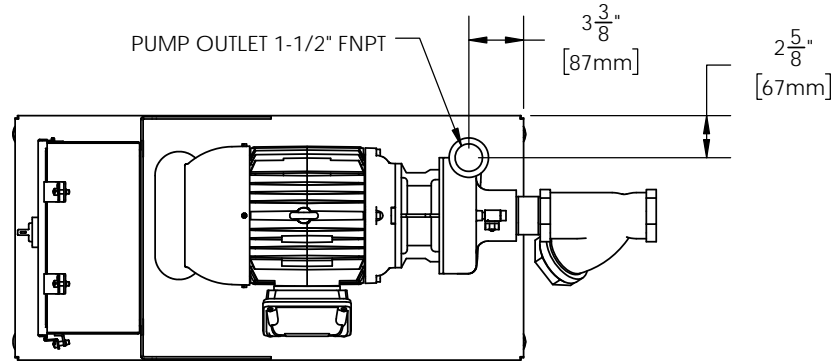


| MODEL | APPROX. WEIGHT | |
|---------------|----------------|----|
| | LB | KG |
| SA00108-5HP | 212 | 96 |
| SA00108-7.5HP | 212 | 96 |



PROPRIETARY AND CONFIDENTIAL
 THE INFORMATION CONTAINED
 IN THIS DRAWING IS THE SOLE
 PROPERTY OF SIOUX CORP.
 ANY REPRODUCTION IN PART OR
 AS A WHOLE WITHOUT WRITTEN
 PERMISSION OF SIOUX CORP
 IS PROHIBITED.

UNLESS NOTED:
 DIMENSIONS
INCHES
 TOLERANCES
 LINEAR: ± 0.025
 [1/16]
 ANGULAR: $\pm 2^\circ$

DRN WV 04-02-18
 CHK MW 04-02-18
 THIRD-ANGLE PROJECTION

SIOUX CORPORATION
 ONE SIOUX PLAZA, BERESFORD, SD 57004

PUMPING STATION 5, 7.5 HP

| REV. | DESCRIPTION | DATE | BY |
|------|-------------------------------------|----------|----|
| A-02 | UPDATED DIMS AND STRAINER DIRECTION | 06/12/20 | MW |
| A-01 | ORIGINAL | 4/3/2018 | WV |

| SIZE | SCALE | FILE | REV | SHEET |
|------|-------|-----------------------------------|------|-------|
| A | 1:12 | GA22404 PUMPING STATION 5, 7.5 HP | A-02 | 1/1 |

GA22404

A-02

1/1

DWG NO: GA22404 REV: A-02 SHEET: 1/1