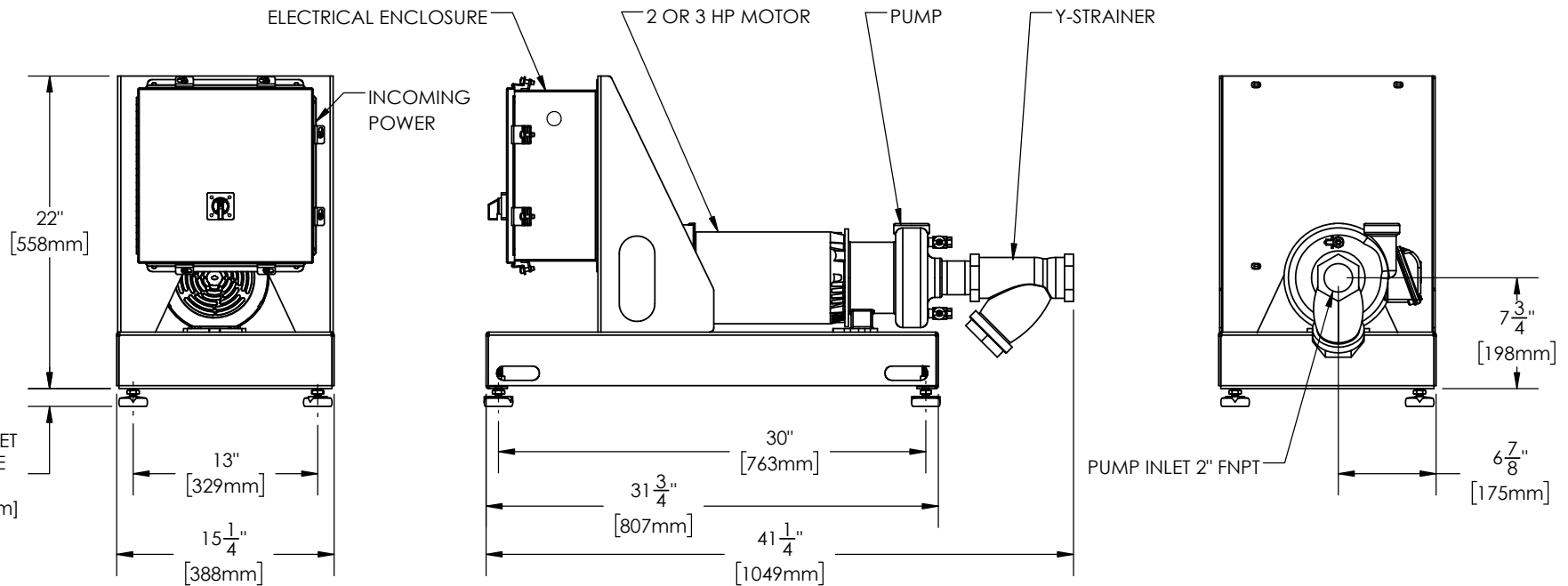
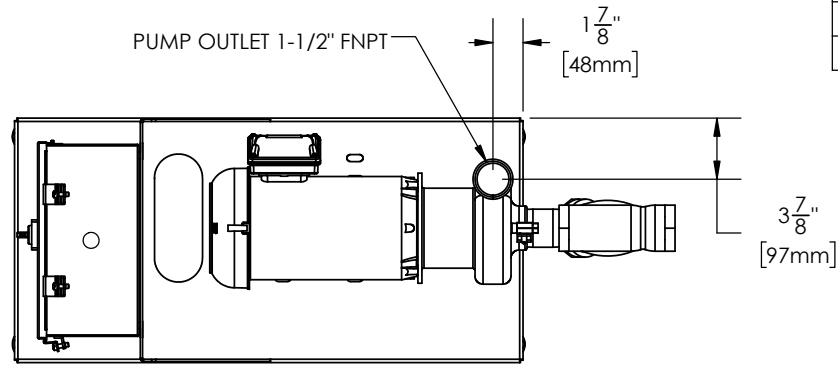


MODEL	APPROX. WEIGHT	
	LB	KG
SA00108-2HP	170	77
SA00108-3HP	212	96



PROPRIETARY AND CONFIDENTIAL
 THE INFORMATION CONTAINED
 IN THIS DRAWING IS THE SOLE
 PROPERTY OF SIOUX CORP.
 ANY REPRODUCTION IN PART OR
 AS A WHOLE WITHOUT WRITTEN
 PERMISSION OF SIOUX CORP
 IS PROHIBITED.

UNLESS NOTED: DIMENSIONS	DRN WV 04-02-18
INCHES	CHK MW 04-02-18
TOLERANCES	SIZE A SCALE 1:12
LINEAR: ± 0.025 [1/16]	THIRD-ANGLE PROJECTION
ANGULAR: $\pm 2^\circ$	

SIOUX
 SIOUX CORPORATION, ONE SIOUX PLAZA, BERESFORD, SD 57004

PUMPING STATION 2, 3 HP

GA22405 REV **A-03** SH 1/1

REV.	DESCRIPTION	DATE	BY
A-03	CHANGED FORMAT	07/27/23	LN
A-02	UPDATED DIMS AND STRAINER DIRECTION	06/12/20	MW
A-01	ORIGINAL	4/3/2018	WV

DO NOT SCALE DRAWING

