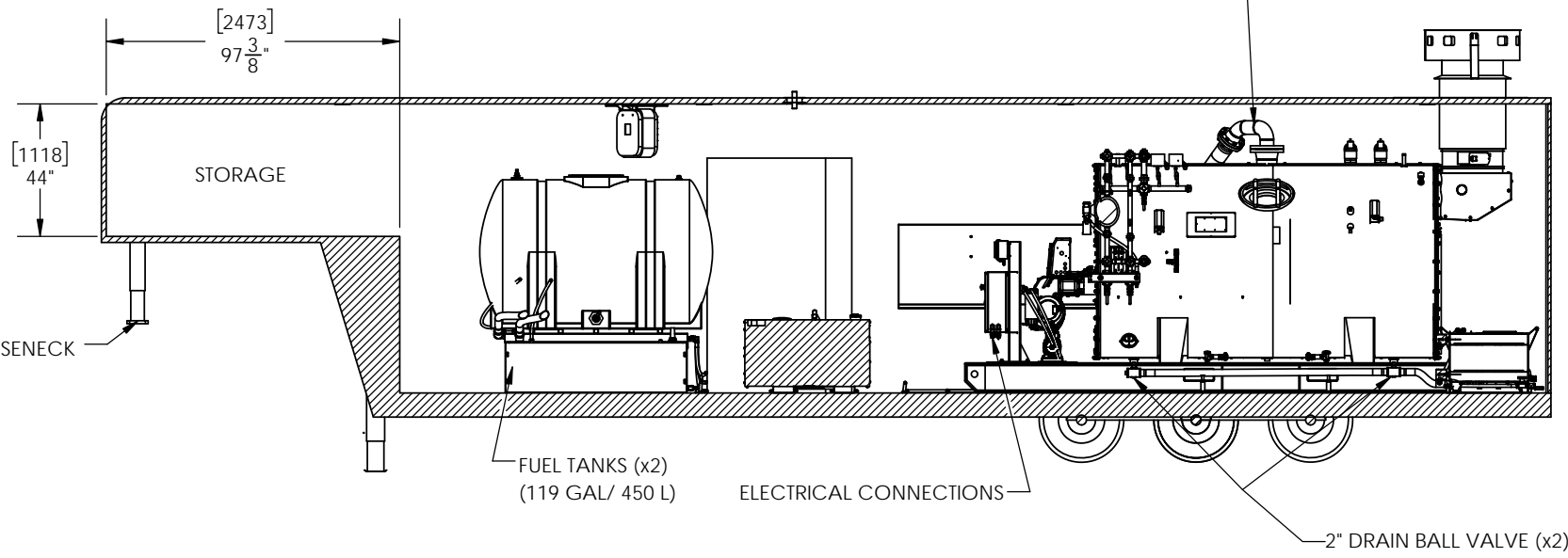
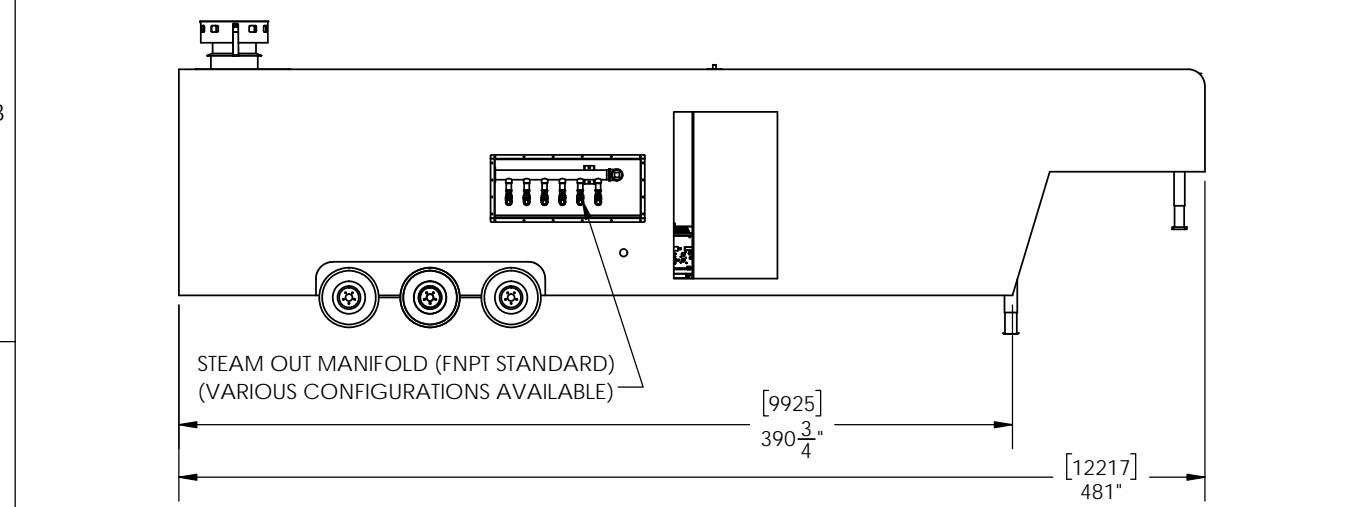
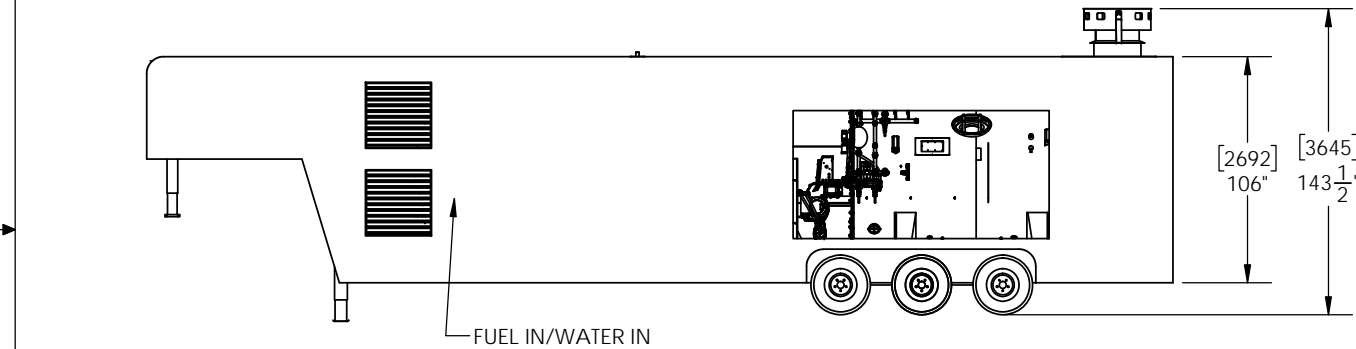
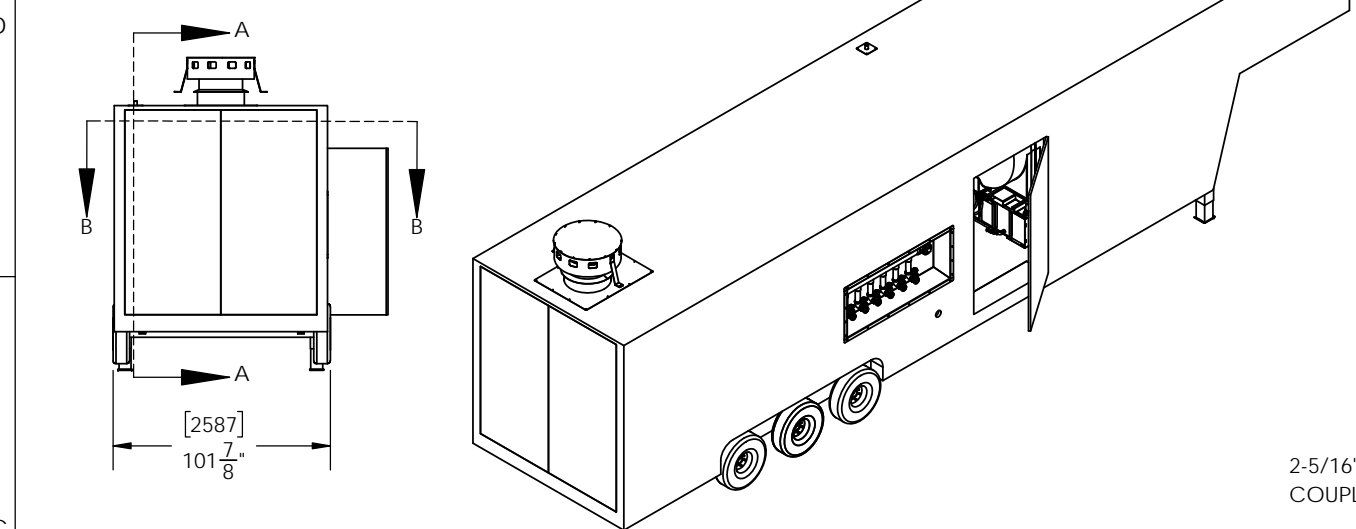
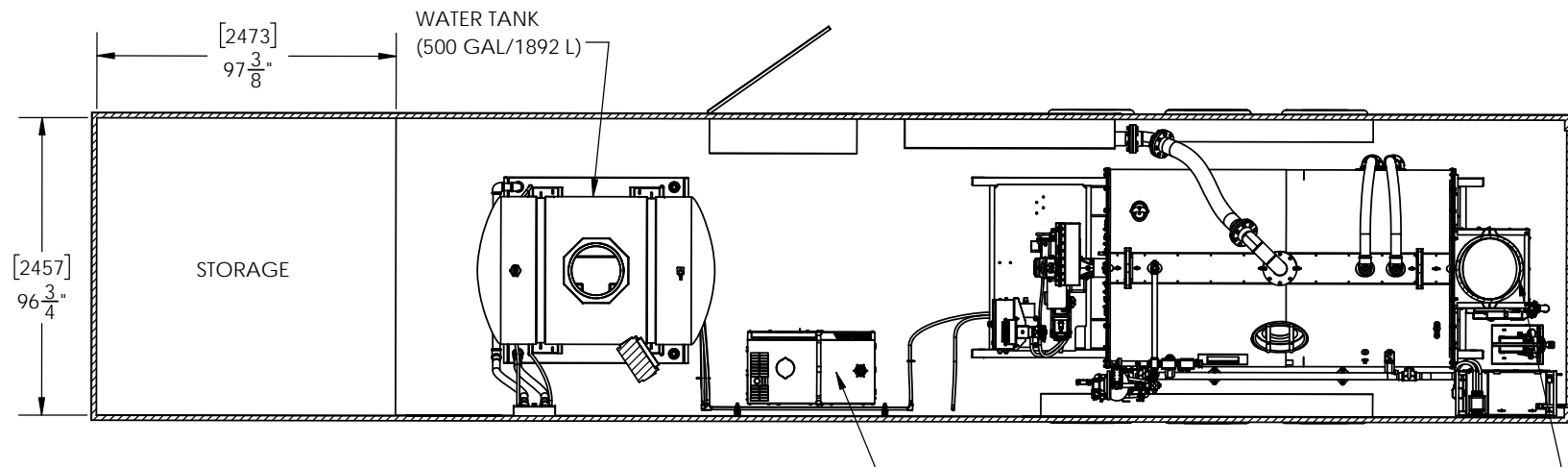


| MODEL | APPROX. WEIGHT | |
|------------------|----------------|-------|
| | LB | KG |
| SF100D ENC (DRY) | 19400 | 8800 |
| SF100D ENC (WET) | 29900 | 13550 |



SECTION A-A
SCALE 1 : 60



SECTION B-B
SCALE 1 : 60

| REV. | DESCRIPTION | DATE | BY |
|------|------------------------|----------|----|
| A-02 | UPDATED NOTES/CALLOUTS | 08/05/21 | JS |
| A-01 | ORIGINAL | 05/27/21 | JZ |

| | | | | |
|--|---|------------------------|--|------------|
| PROPRIETARY COPYRIGHT AND CONFIDENTIAL Copyright © 03/24/23 SIOUX CORPORATION. The information contained in this drawing is the sole property of Sioux Corp. This information is subject to recall at any time and is not to be used in any way detrimental to Sioux's interests. Any reproduction in part or as a whole without written permission of Sioux Corp is prohibited. Use of material is subject to the terms of website use listed at www.siuox.com | UNLESS NOTED: | DRN JS 5/27/2021 | SIOUX CORPORATION ONE SIOUX PLAZA, BERESFORD, SD 57004 SF-100 ENCLOSED TRAILER | GA23496 |
| | DIMENSIONS IN INCHES, [mm] FOR REFERENCE ONLY | CHK JZ 05/27/21 | | SCALE 1:90 |
| | TOLERANCES | THIRD-ANGLE PROJECTION | SIZE B | FILE |

DWG NO. GA23496 REV. A-02 SHEET 1/1