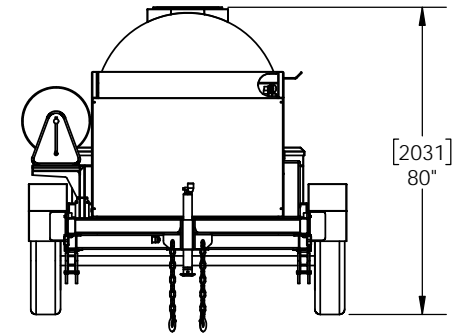
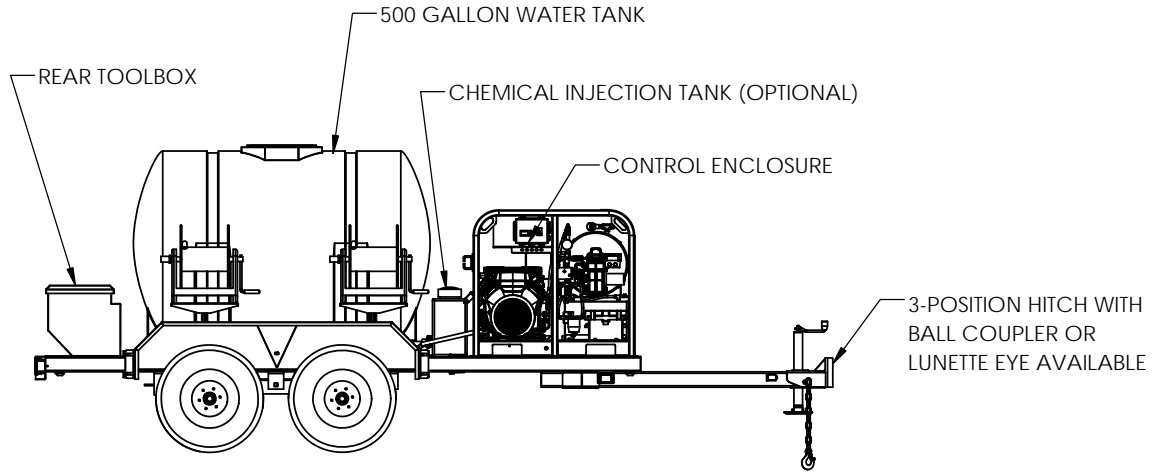
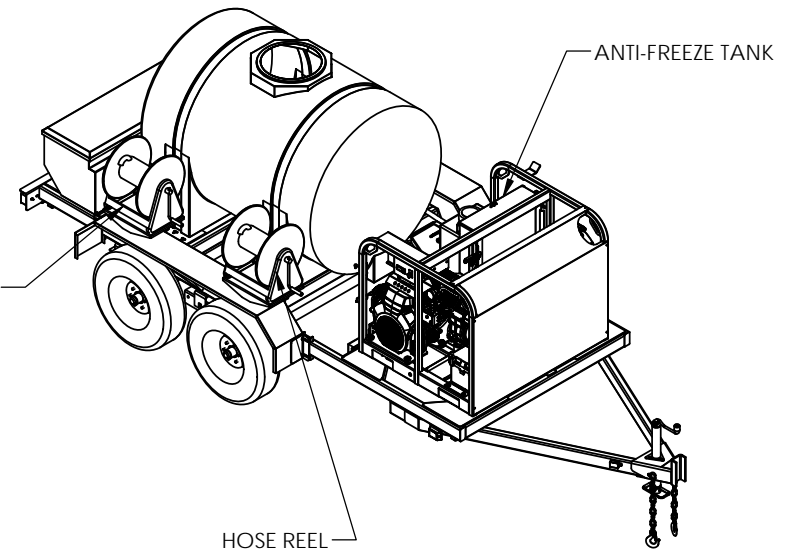
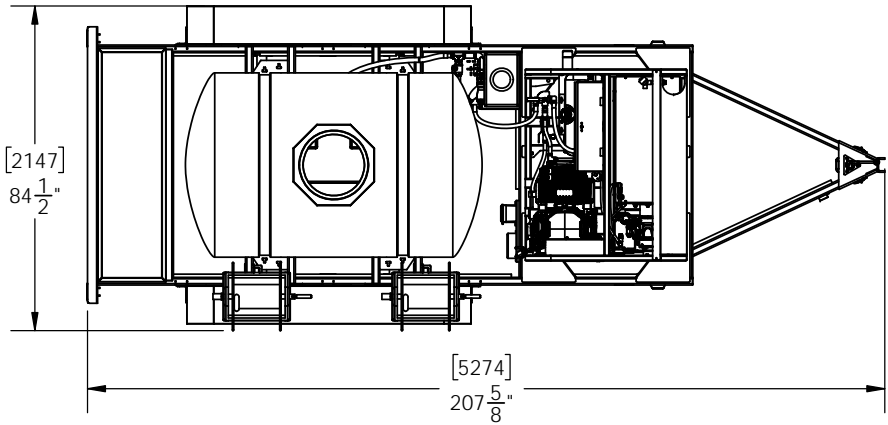


APPLICABLE MACHINES		
MODEL	APPROX. WEIGHT	
	LB	KG
H5.5D3000-GTTM (DRY)	2420	1100
H5.5D3000-GTTM (WET)	6760	3070

WHEELS: STEEL 15" X 6"
 6 BOLT 5.5" B.C.
 TIRES: 225-75-15 C-RATED
 AXLES: TANDEM 5200#
 SPIRNGS: SLIPPER LEAF SPRINGS
 BRAKES: ELECTRIC BRAKES
 PLUG: 7-WAY PLUG
 GVWR: 10,400 LBS



REV.	DESCRIPTION	DATE	BY
A-01	ORIGINAL	11/16/21	MW

PROPRIETARY COPYRIGHT AND CONFIDENTIAL
 Copyright © 11/16/2021 SIOUX CORPORATION.
 The information contained in this drawing is the sole property of Sioux Corp. This information is subject to recall at any time and is not to be used in any way detrimental to Sioux's interests. Any reproduction in part or as a whole without written permission of Sioux Corp is prohibited. Use of material is subject to the terms of website use listed at www.siuox.com

UNLESS NOTED:	DRN JZ 4/1/2021
DIMENSIONS [mm] IN	CHK MW11/16/2021
TOLERANCES	QC
LINEAR: ±[13] 1/2	THIRD-ANGLE PROJECTION
ANGULAR: ±2°	

SIOUX CORPORATION			
ONE SIOUX PLAZA, BERESFORD, SD 57004			
H5.5D3000-G HIGHWAY TRAILER GA			
SIZE	A	SCALE	1:50
FILE			
GA24016		REV	A-01
		SH	1/1

DWG NO GA24016 REV A-01 SHEET 1/1