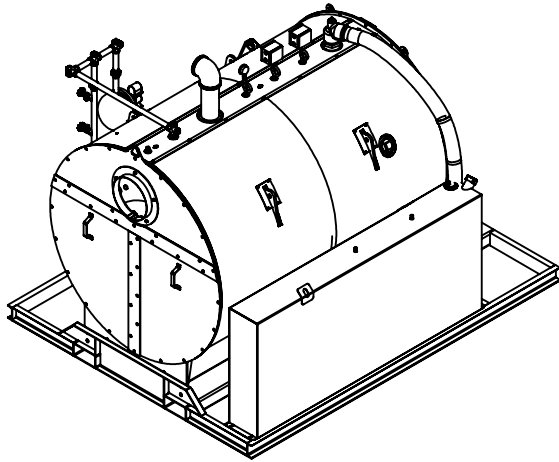


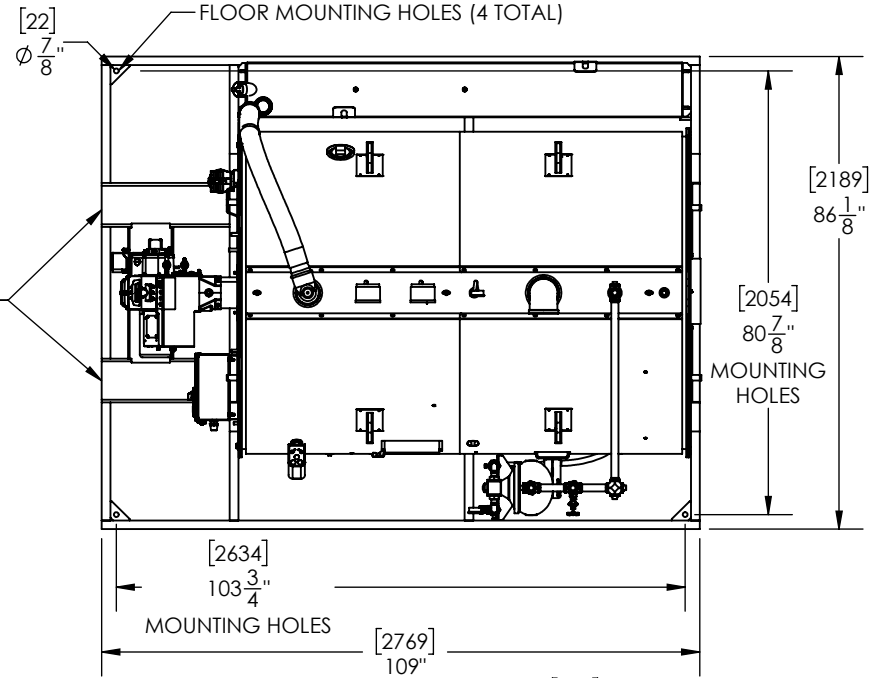
MODEL	APPROX. WEIGHT	
	LB	KG
SF50D SKID (DRY)	5350	2427
SF50D SKID (WET)	8950	4060

SUGGESTED MINIMUM CLEARANCES FOR SERVICE ACCESS ARE 48" (1200mm) FOR THE ENDS AND 24" (600mm) ALONG EACH SIDE

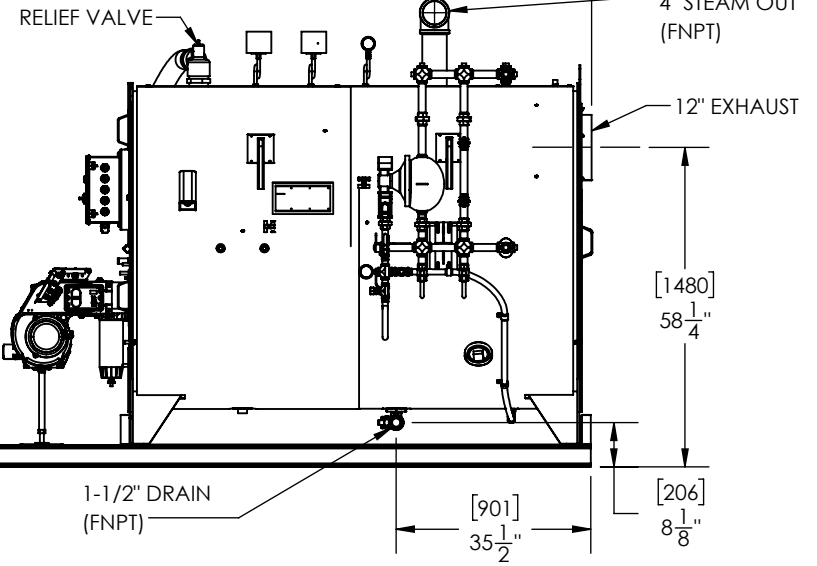
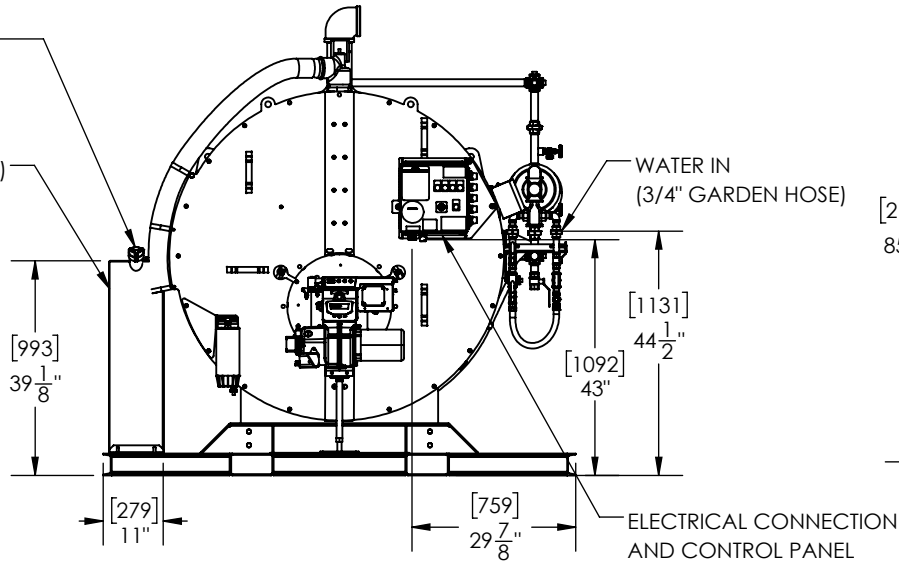


FORKLIFT POCKETS (3" x 7")

FLOOR MOUNTING HOLES (4 TOTAL)



FUEL IN
FUEL TANK (125 GAL/470 L)



PROPRIETARY AND CONFIDENTIAL
THE INFORMATION CONTAINED IN THIS DRAWING IS THE SOLE PROPERTY OF SIOUX CORP. ANY REPRODUCTION IN PART OR AS A WHOLE WITHOUT WRITTEN PERMISSION OF SIOUX CORP IS PROHIBITED.

UNLESS NOTED: DIMENSIONS IN INCHES, [mm] FOR REFERENCE ONLY.
TOLERANCES: LINEAR: ±1/2" ANGULAR: ±2°
THIRD-ANGLE PROJECTION

SIOUX CORPORATION

ONE SIOUX PLAZA, BERESFORD, SD 57004

SF-50D SKID MOUNTED

REV.	DESCRIPTION	DATE	BY
A-03	UPDATED	03/28/23	SB
A-02	UPDATED NOTES/CALLOUTS	08/03/21	JS
A-01	ORIGINAL	05/26/21	JZ

THIRD-ANGLE PROJECTION SIZE A SCALE 1:35 FILE ga24083 - sf50 oil skid mounted

GA24083

REV **A-03**

SH 1/1

DWG. NO. GA24083 REV. A-03 SHEET 1/1