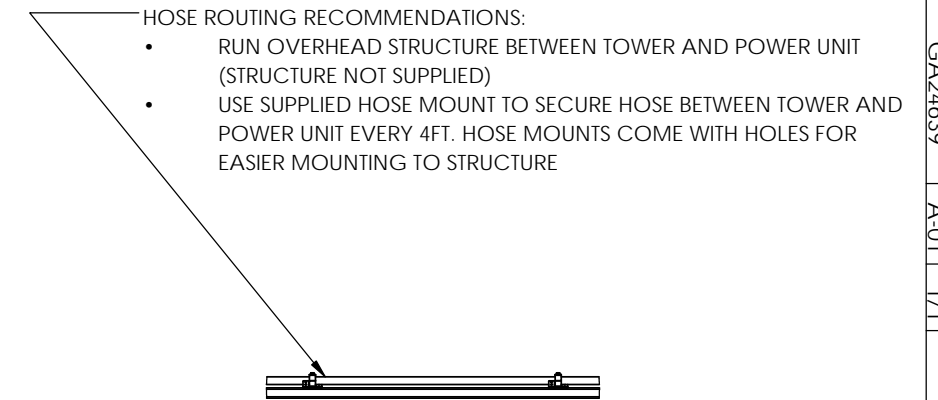
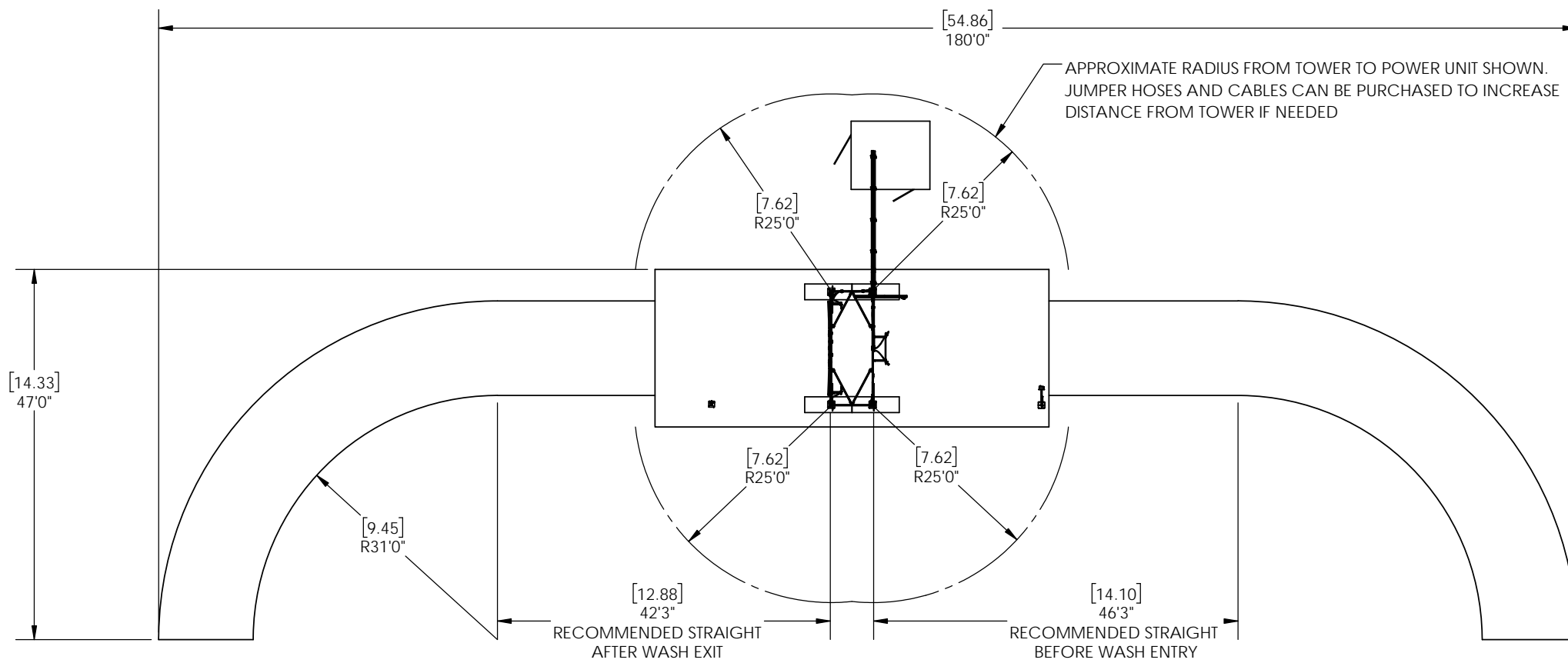
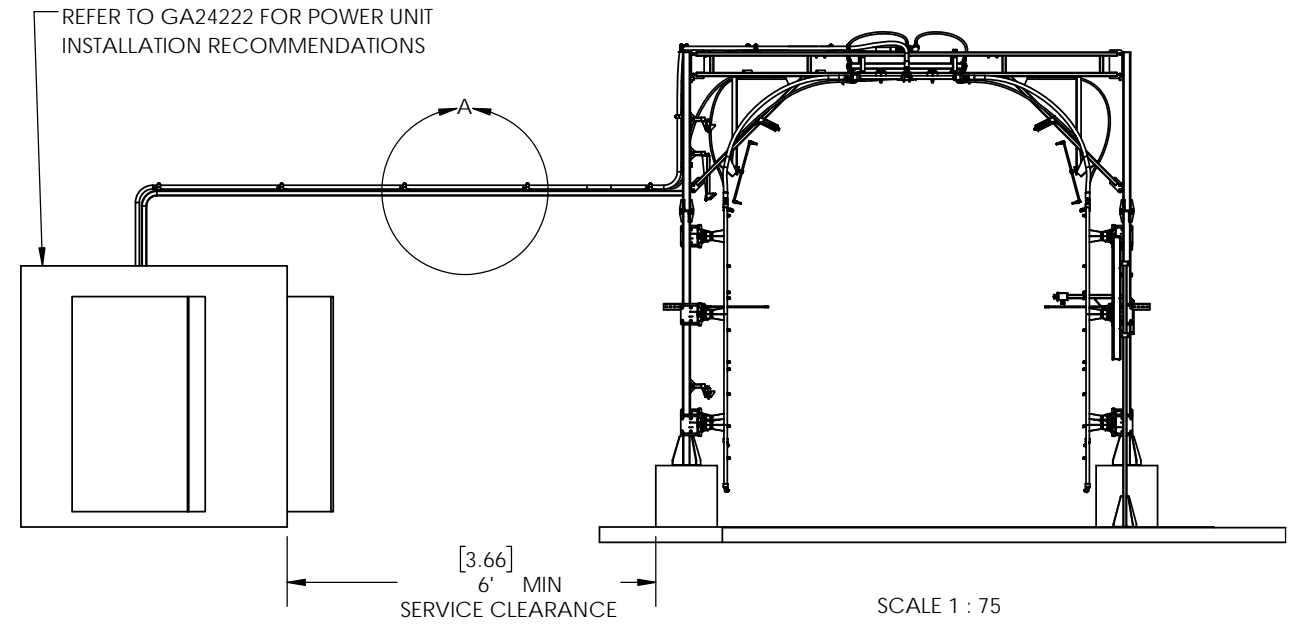
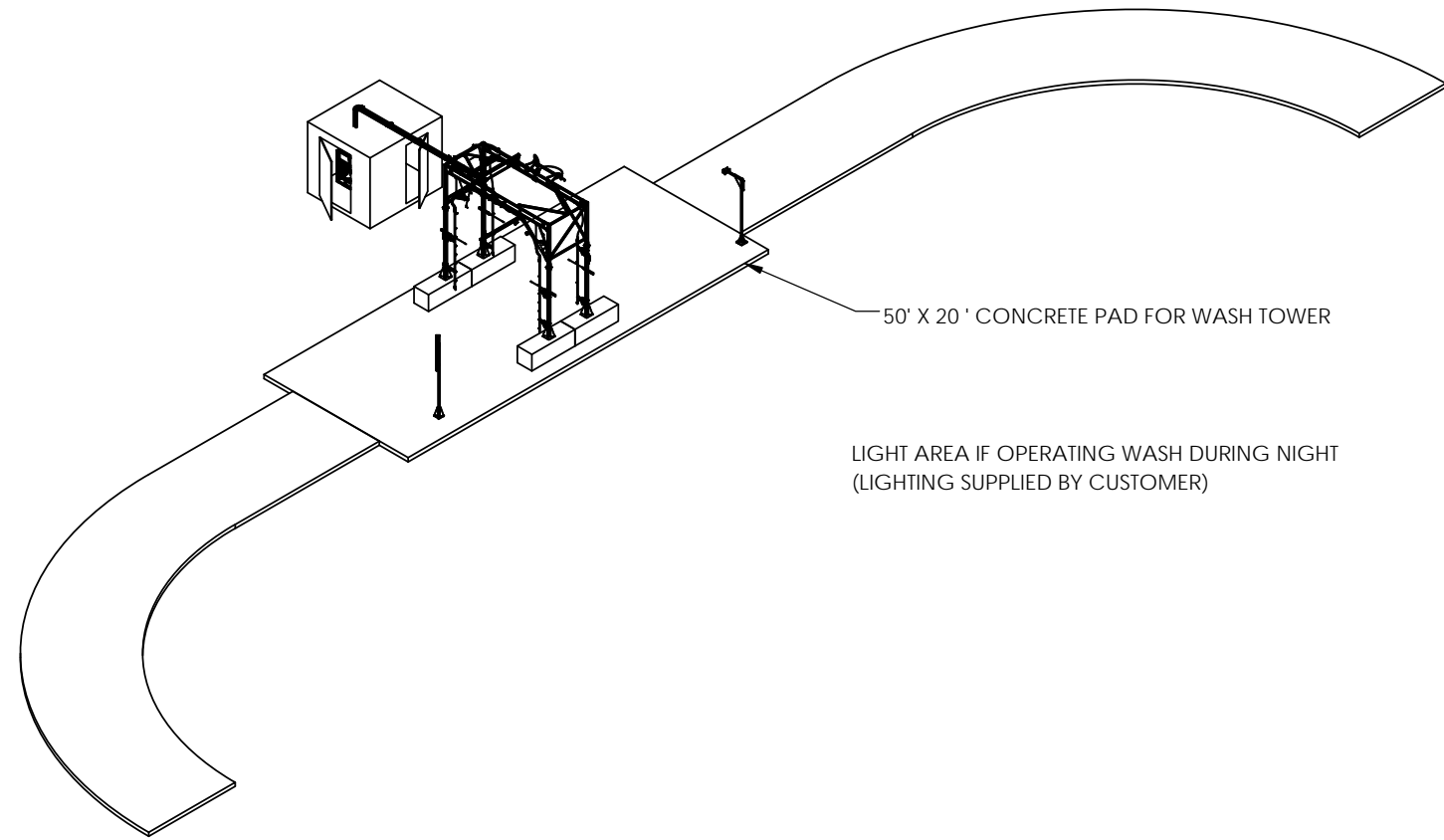


# SIoux TW40 WASH SITE INSTALL RECOMMENDATIONS



DETAIL A  
SCALE 2 : 75

A-01	ORIGINAL	06/28/22	MW
REV.	DESCRIPTION	DATE	BY

**PROPRIETARY COPYRIGHT AND CONFIDENTIAL**  
 Copyright © 6/28/2022 SIOUX CORPORATION.  
 The information contained in this drawing is the sole property of Sioux Corp. This information is subject to recall at any time and is not to be used in any way detrimental to Sioux's interests. Any reproduction in part or as a whole without written permission of Sioux Corp is prohibited. Use of material is subject to the terms of website use listed at www.siuox.com

UNLESS NOTED:	DRN MW 6/28/2022
DIMENSIONS IN INCHES, [mm] FOR REFERENCE ONLY	CHK MW 6/28/2022
TOLERANCES	QC
THIRD-ANGLE PROJECTION	SIZE B
LINEAR: ±[13] 1/2	SCALE 1:225
ANGULAR: ±2°	FILE

<b>SIOUX CORPORATION</b> ONE SIOUX PLAZA, BERESFORD, SD 57004	
TW40 INSTALL SITE	
GA24639	GA24639 - TW40 INSTALL SITE
REV A-01	SH 1/1

DWG NO GA24639 REV A-01 SHEET 1/1