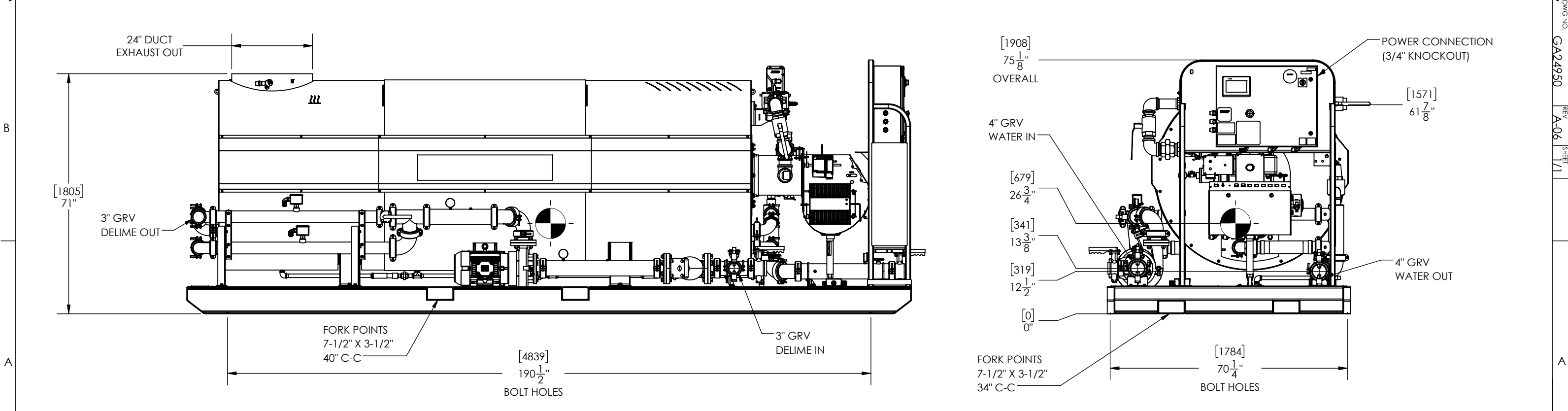
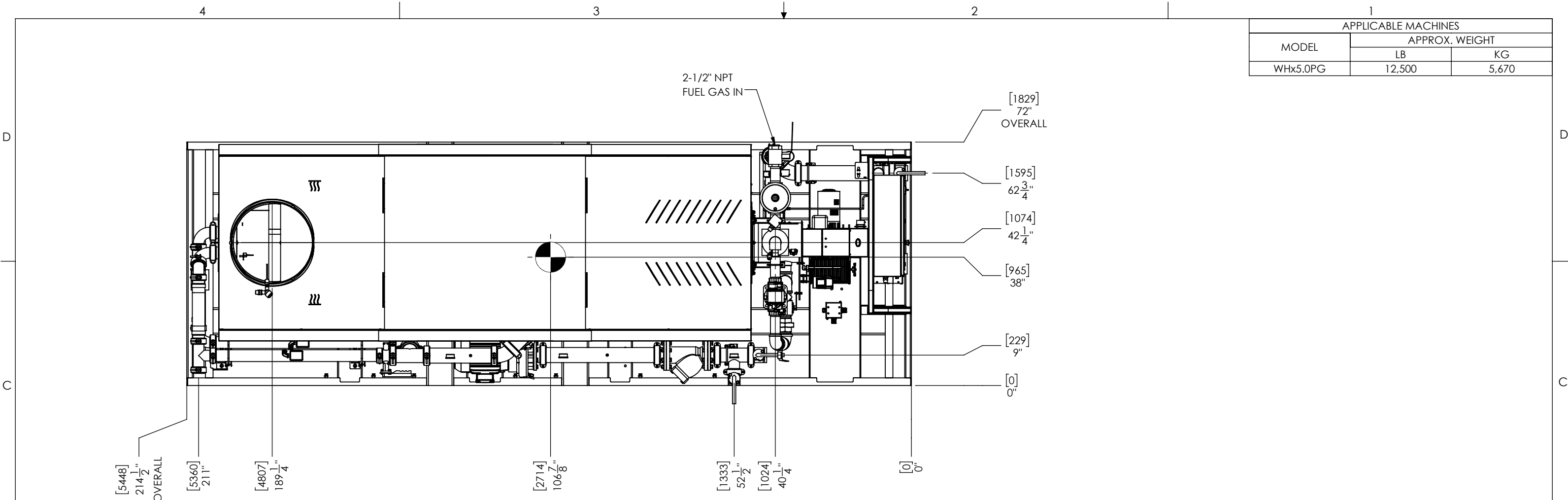


| MODEL | APPROX. WEIGHT | |
|----------|----------------|-------|
| | LB | KG |
| WHx5.0PG | 12,500 | 5,670 |



| REV. | DESCRIPTION | DATE | BY |
|------|----------------------|----------|----|
| A-06 | ECO 00256 | 03/27/24 | JL |
| A-05 | ECO 00243 UDPATES | 01/16/24 | JL |
| A-04 | UPDATED ENCLOSURE | 07/10/23 | LN |
| A-03 | UPDATED SHEET FORMAT | 05/24/23 | BS |
| A-02 | PROTOTYPE UPDATES | 02/22/23 | JZ |

| | | | | |
|---|---|------------------------|-------------|------------|
| PROPRIETARY AND CONFIDENTIAL THE INFORMATION CONTAINED IN THIS DRAWING IS THE SOLE PROPERTY OF SIOUX CORP. ANY REPRODUCTION IN PART OR AS A WHOLE WITHOUT WRITTEN PERMISSION OF SIOUX CORP IS PROHIBITED. DO NOT SCALE DRAWING | UNLESS NOTED: | DRN | JZ 09/29/22 | |
| | DIMENSIONS IN INCHES, [mm] FOR REFERENCE ONLY | CHK | MW 09/29/22 | |
| | TOLERANCES | SIZE | B | SCALE 1:28 |
| | LINEAR: ±[13] 1/2 | THIRD-ANGLE PROJECTION | | |
| ANGULAR: ±2° | | | | |

| | | |
|---|----------|--------|
| SIOUX | | |
| SIOUX CORPORATION, ONE SIOUX PLAZA, BERESFORD, SD 57004 | | |
| WHX5.0PG | | |
| GA24950 | REV A-06 | SH 1/1 |

DWG NO. GA24950 REV A-06 SHEET 1/1