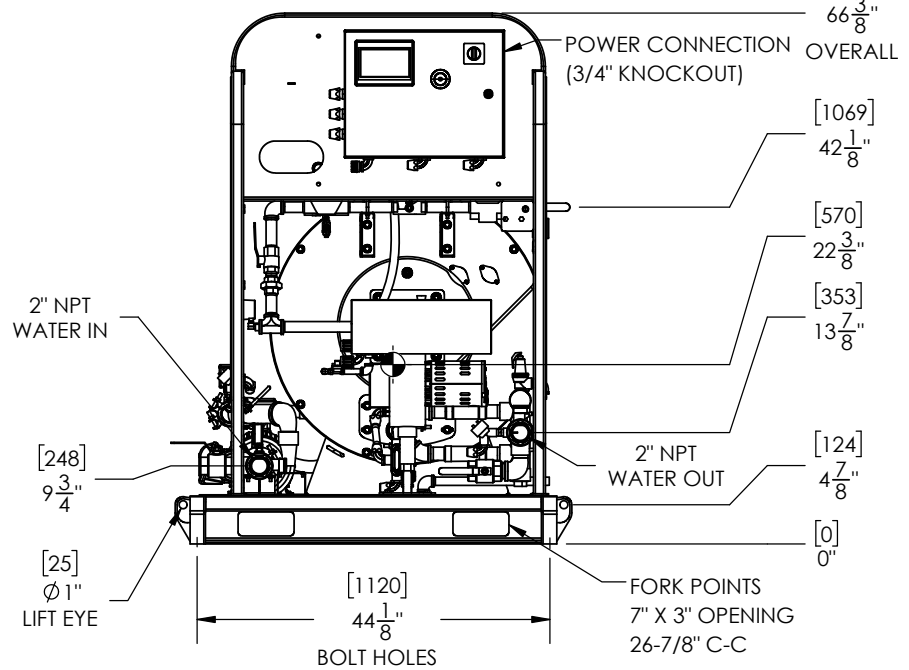
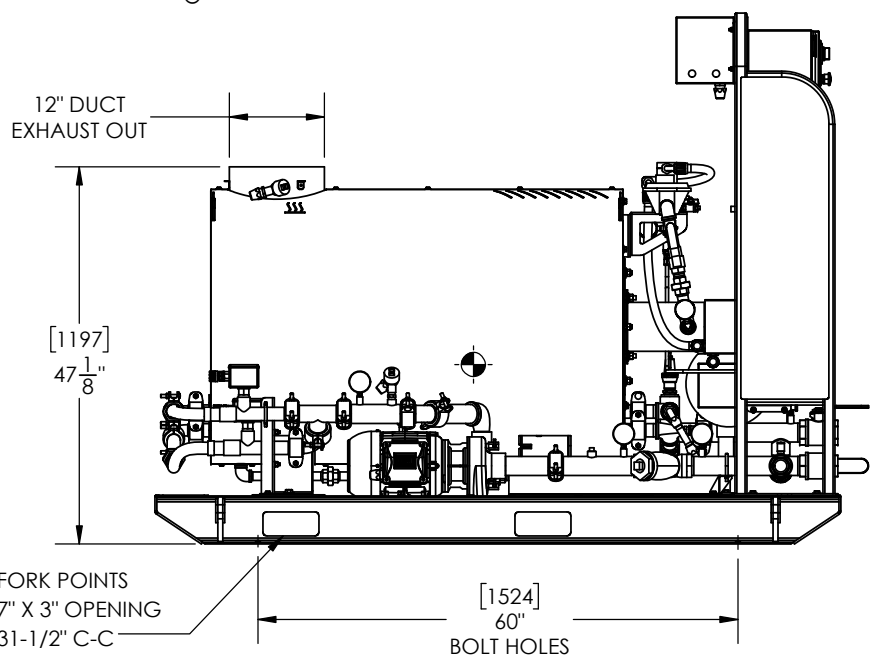
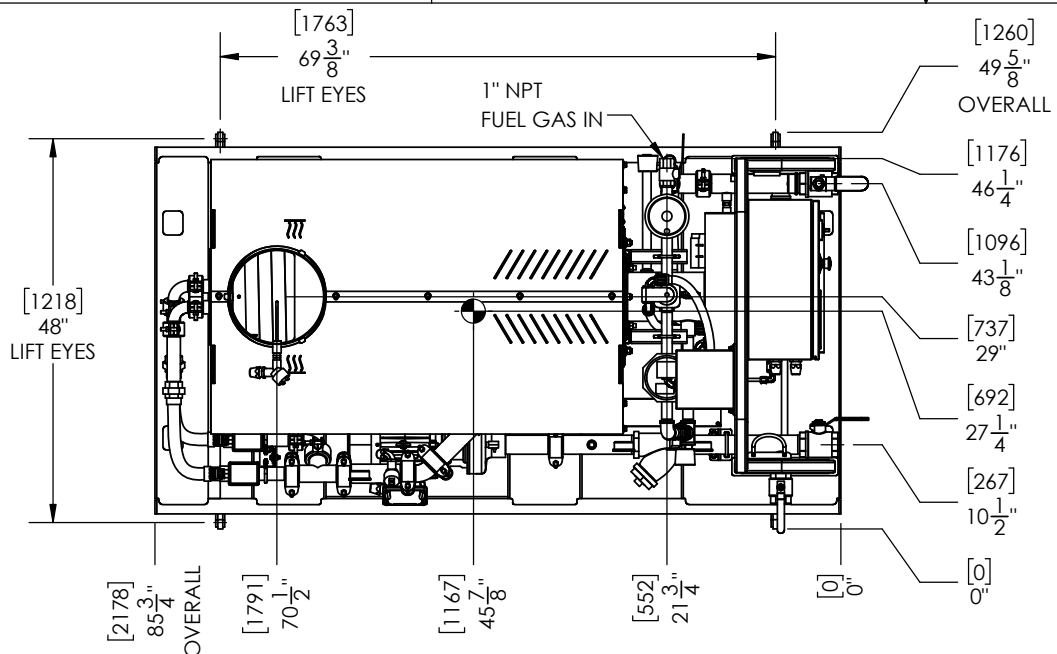


APPLICABLE MACHINES		
MODEL	APPROX. WEIGHT	
	LB	KG
WHC1.0PG	2,175	987



**PROPRIETARY AND CONFIDENTIAL**  
 THE INFORMATION CONTAINED IN THIS DRAWING IS THE SOLE PROPERTY OF SIOUX CORP. ANY REPRODUCTION IN PART OR AS A WHOLE WITHOUT WRITTEN PERMISSION OF SIOUX CORP IS PROHIBITED.

UNLESS NOTED:  
 DIMENSIONS IN INCHES. (mm) FOR REFERENCE ONLY.  
 TOLERANCES  
 LINEAR: ±1/2"  
 ANGULAR: ±2°

**SIOUX CORPORATION**  
 ONE SIOUX PLAZA, BERESFORD, SD 57004  
 WHx1.0PG  
 GA25082 - WHx1.0PG  
 SCALE 1:32  
 THIRD-ANGLE PROJECTION  
 SIZE A

REV.	DESCRIPTION	DATE	BY
A-01	APPROVED FOR RELEASE	01/13/23	LN

REV	SH
A-01	1/1

DWG. NO. GA25082  
 REV. A-01  
 SHEET 1/1