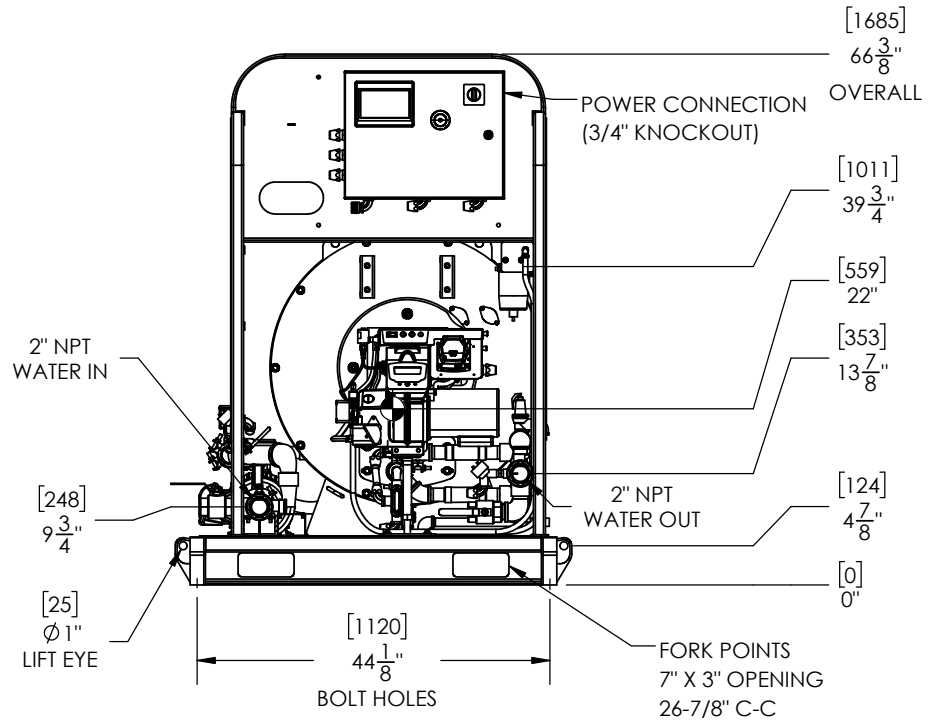
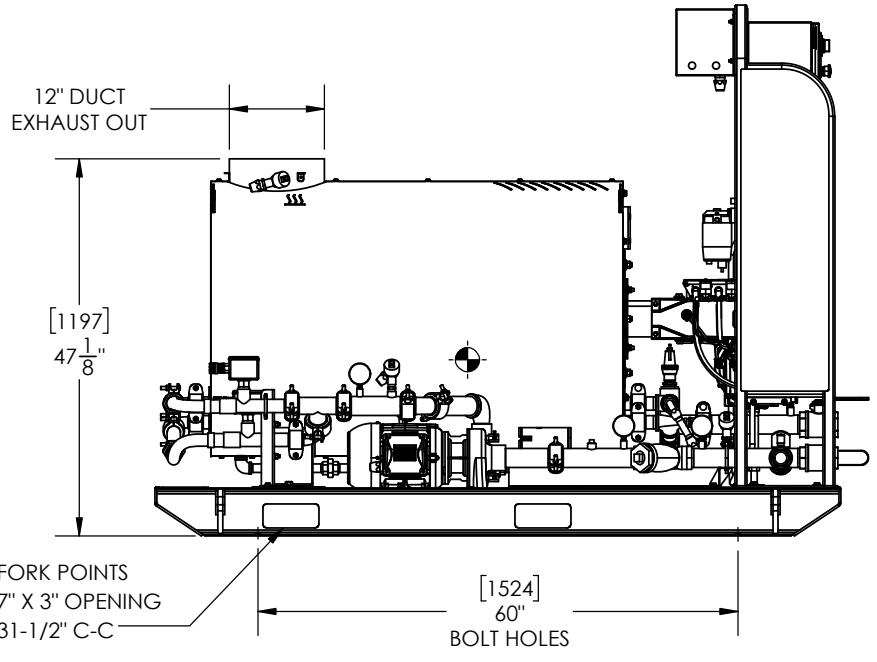
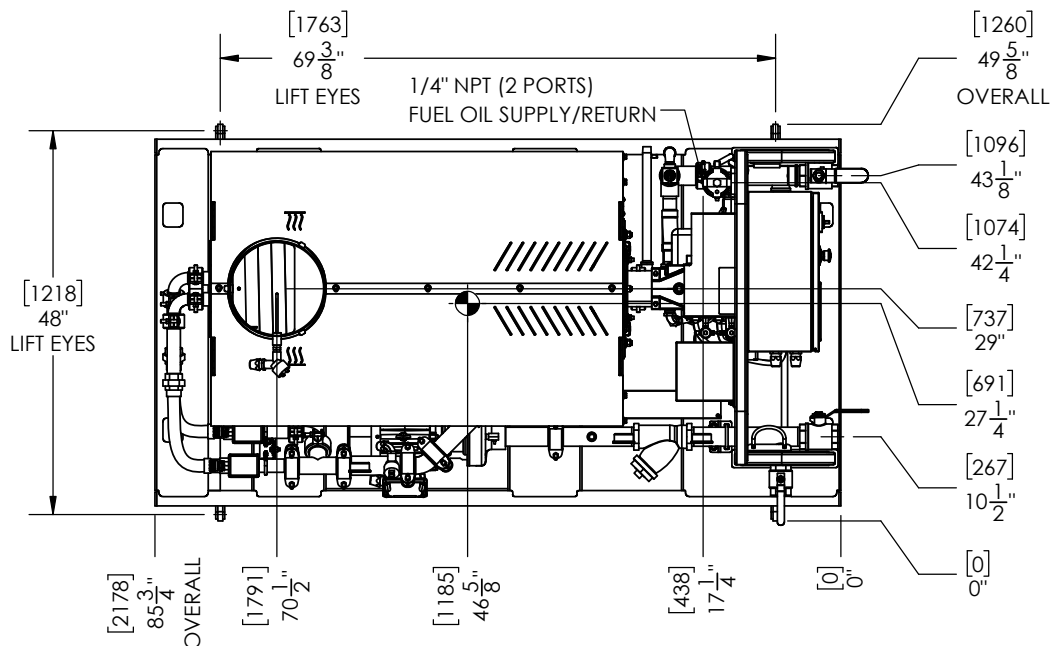


APPLICABLE MACHINES		
MODEL	APPROX. WEIGHT	
	LB	KG
WHC1.OPD	2,175	987

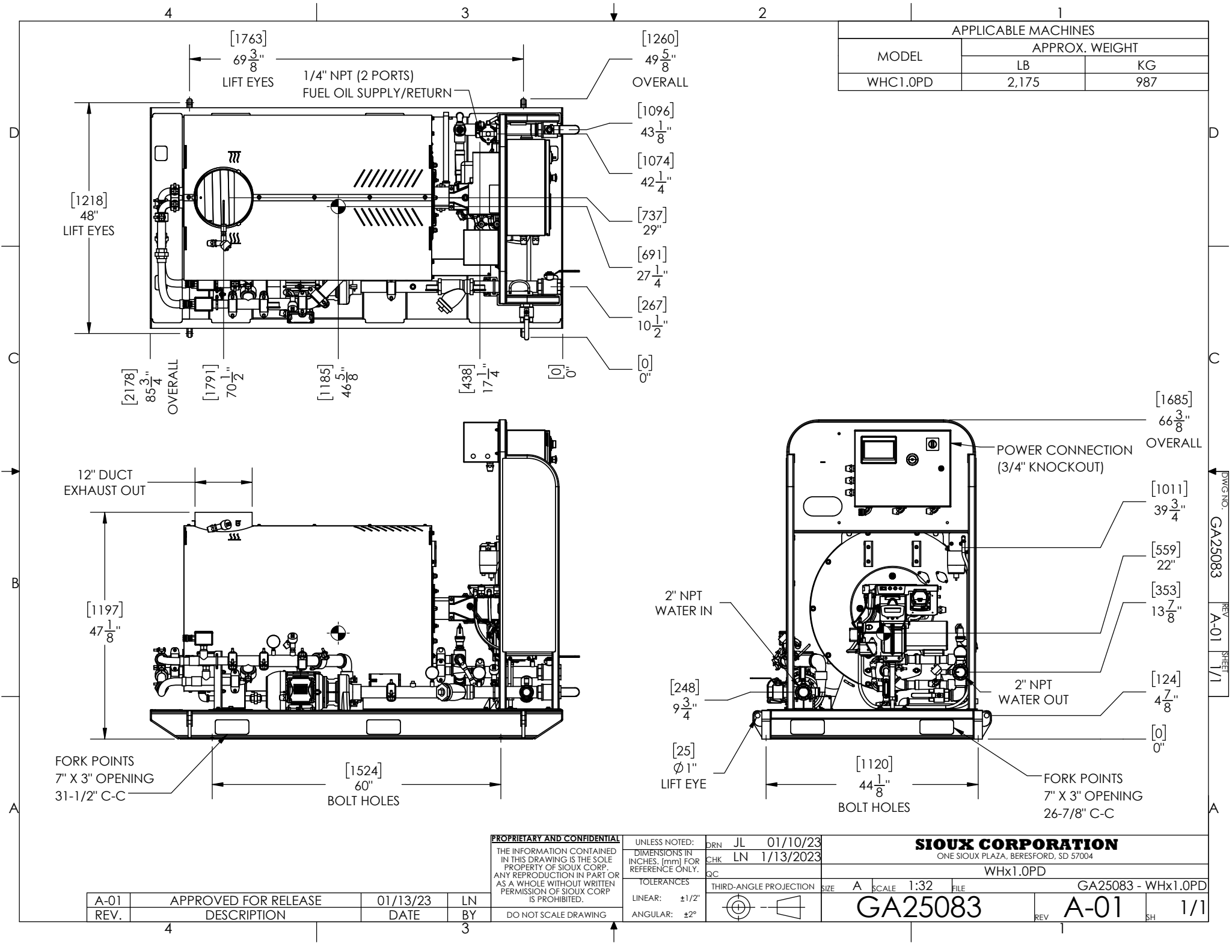


PROPRIETARY AND CONFIDENTIAL
 THE INFORMATION CONTAINED IN THIS DRAWING IS THE SOLE PROPERTY OF SIOUX CORP. ANY REPRODUCTION IN PART OR AS A WHOLE WITHOUT WRITTEN PERMISSION OF SIOUX CORP IS PROHIBITED.

UNLESS NOTED: DRN JL 01/10/23
 DIMENSIONS IN INCHES. (mm) FOR REFERENCE ONLY. CHK LN 1/13/2023
 TOLERANCES: THIRD-ANGLE PROJECTION
 LINEAR: ±1/2"
 ANGULAR: ±2°

SIOUX CORPORATION
 ONE SIOUX PLAZA, BERESFORD, SD 57004
 WHx1.OPD
 GA25083 - WHx1.OPD
GA25083
 REV A-01 SH 1/1

REV.	DESCRIPTION	DATE	BY
A-01	APPROVED FOR RELEASE	01/13/23	LN



DWG. NO. GA25083
 REV. A-01
 SHEET 1/1