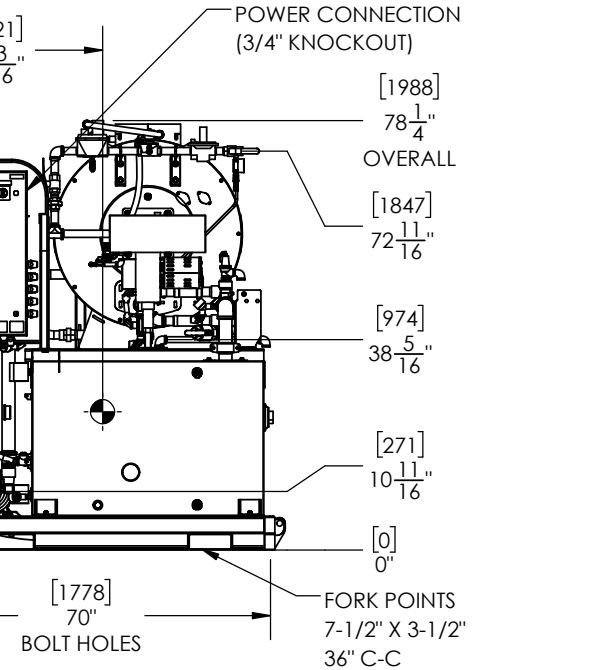
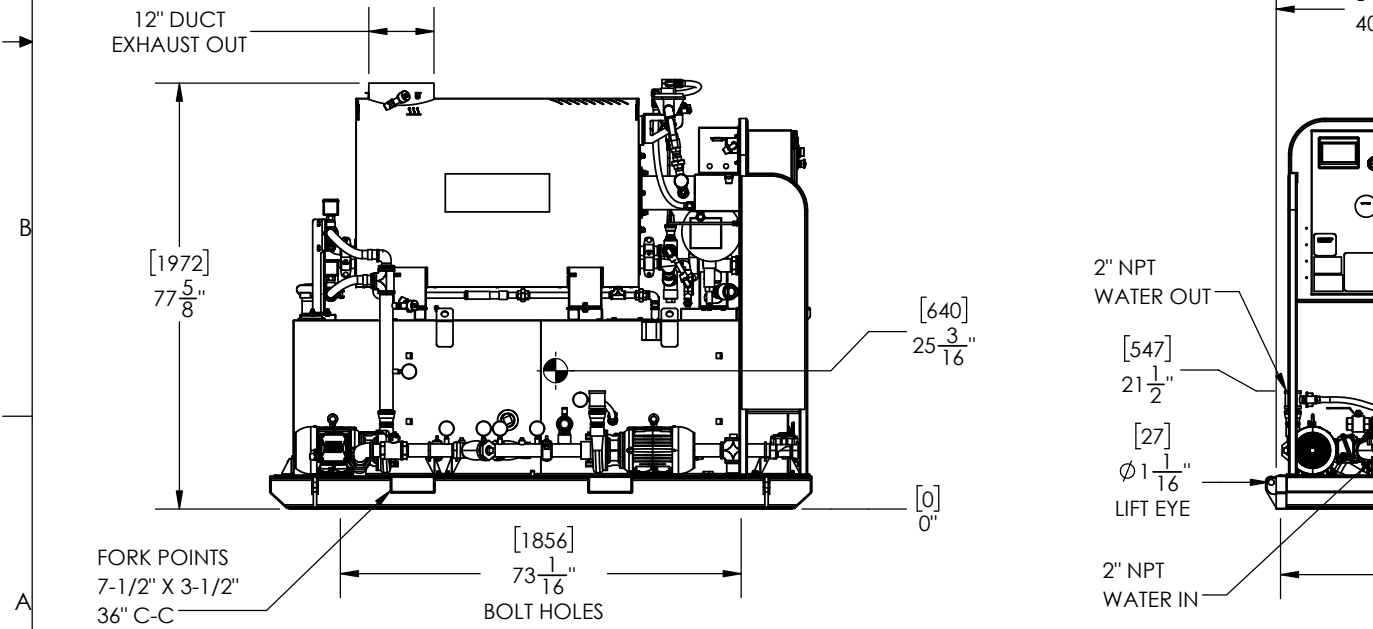
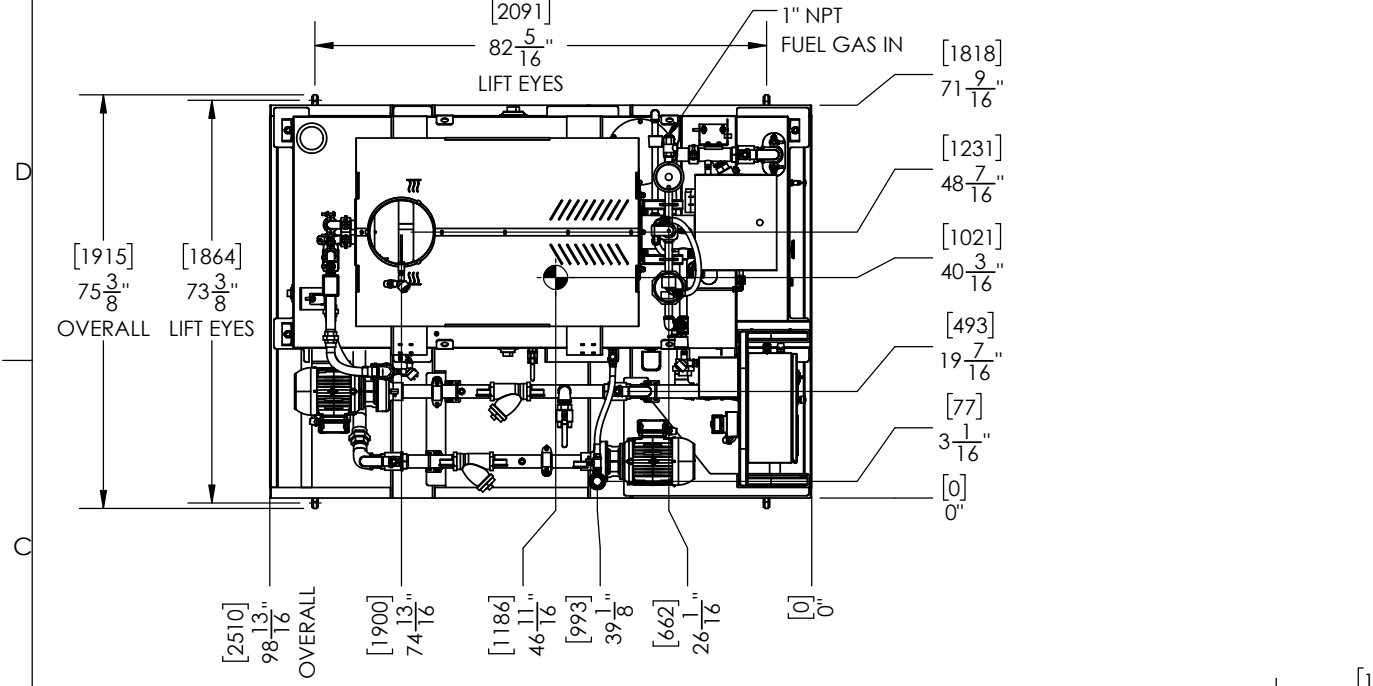


4 3 2 1

APPLICABLE MACHINES		
MODEL	APPROX. WEIGHT	
	LB	KG
WHC1.0PG-T	3100	1406



<p><b>PROPRIETARY AND CONFIDENTIAL</b> THE INFORMATION CONTAINED IN THIS DRAWING IS THE SOLE PROPERTY OF SIOUX CORP. ANY REPRODUCTION IN PART OR AS A WHOLE WITHOUT WRITTEN PERMISSION OF SIOUX CORP IS PROHIBITED.</p>				<p>UNLESS NOTED: DIMENSIONS IN INCHES. [mm] FOR REFERENCE ONLY.</p>	<p>DRN LN 02/28/23 CHK JL 03/01/23 SIZE A SCALE 1:48</p>	<p><b>SIOUX</b> SIOUX CORPORATION, ONE SIOUX PLAZA, BERESFORD, SD 57004</p>	
<p>DO NOT SCALE DRAWING</p>				<p>TOLERANCES LINEAR: ±1/2" ANGULAR: ±2°</p>	<p>THIRD-ANGLE PROJECTION</p>	<p>WHC1.0PG-T</p>	
A-03	UPDATED TITLE BLOCK	06/06/23	LN	<p><b>GA25153</b></p>			
A-02	CHANGED SKID DIMENSIONS	04/04/23	LN				
A-01	APPROVED FOR RELEASE	03/01/23	JL	<p>REV <b>A-03</b> SH 1/1</p>			
REV.	DESCRIPTION	DATE	BY				

4 3 2 1