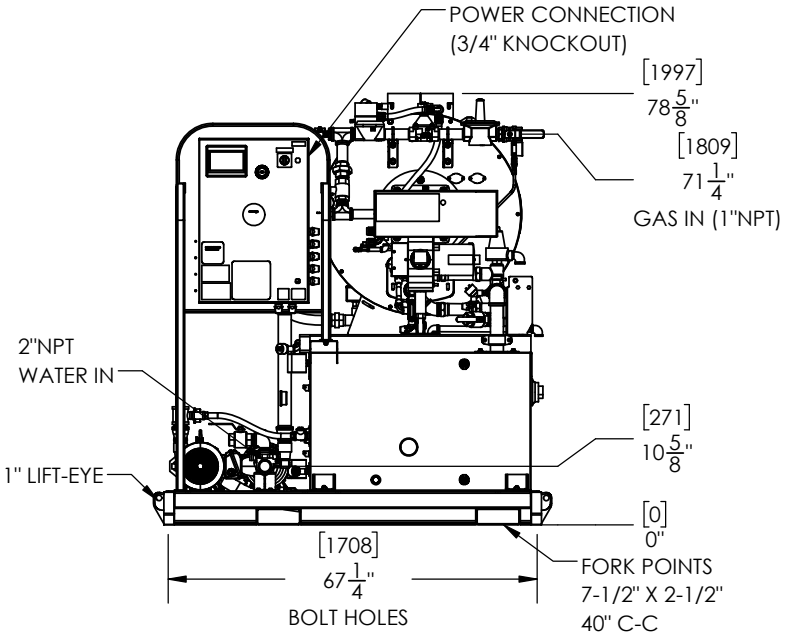
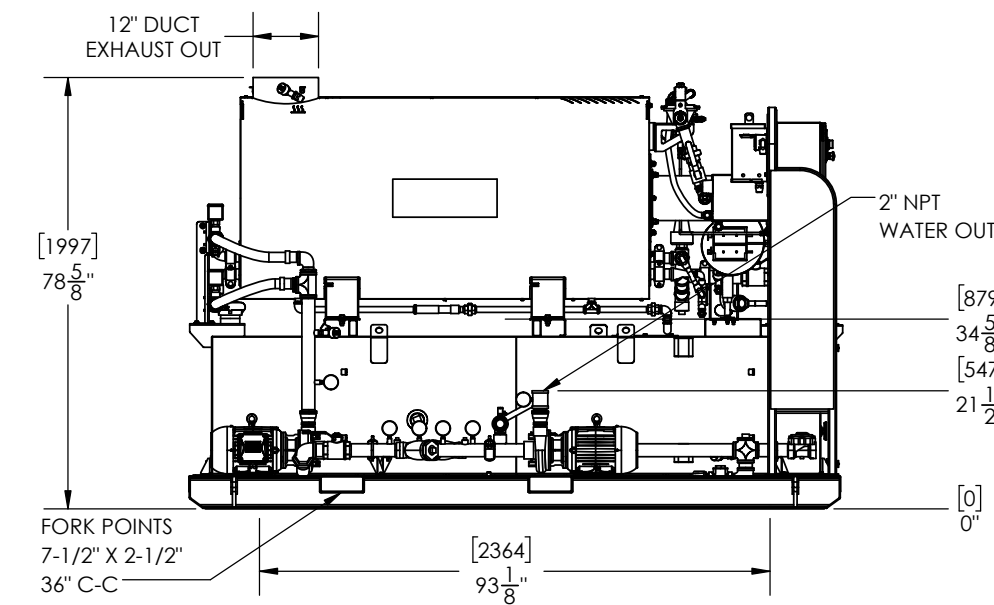
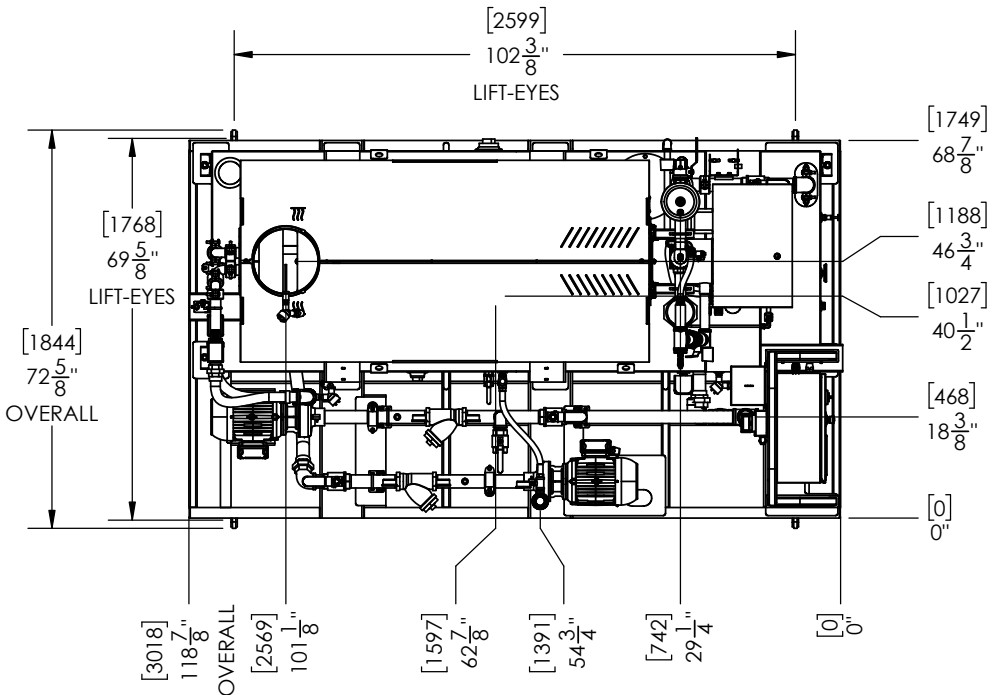


APPLICABLE MACHINES		
MODEL	APPROX. WEIGHT	
	LB	KG
WHC1.7PG-T	4350	1973



REV.	DESCRIPTION	DATE	BY
A-03	UPDATED TITLE BLOCK	06/06/23	LN
A-02	TANK CHANGES	04/04/23	LN
A-01	APPROVED FOR RELEASE	03/14/23	JL

PROPRIETARY AND CONFIDENTIAL
 THE INFORMATION CONTAINED IN THIS DRAWING IS THE SOLE PROPERTY OF SIOUX CORP. ANY REPRODUCTION IN PART OR AS A WHOLE WITHOUT WRITTEN PERMISSION OF SIOUX CORP IS PROHIBITED.

UNLESS NOTED:	DRN LN 03/09/23
DIMENSIONS IN INCHES. [mm] FOR REFERENCE ONLY.	CHK JL 03/14/23
TOLERANCES:	SIZE A SCALE 1:48
LINEAR: ±1/2"	THIRD-ANGLE PROJECTION
ANGULAR: ±2°	

SIOUX
 SIOUX CORPORATION, ONE SIOUX PLAZA, BERESFORD, SD 57004

WHC1.7PG-T

GA25192 **A-03** 1/1

DWG. NO. GA25192 REV. A-03 SHEET 1/1