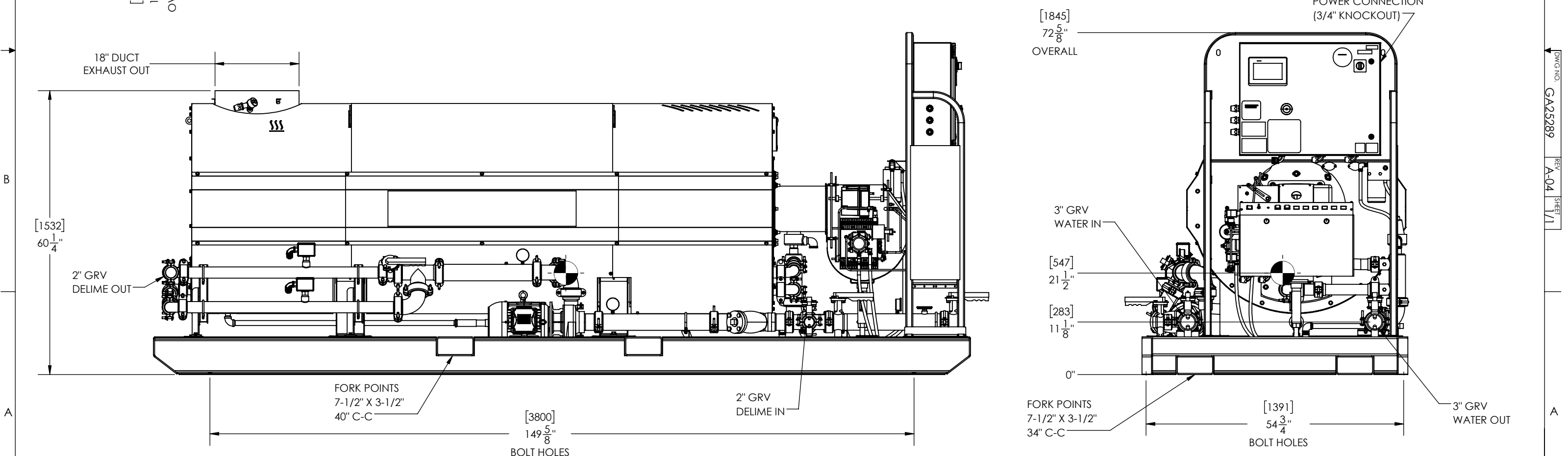
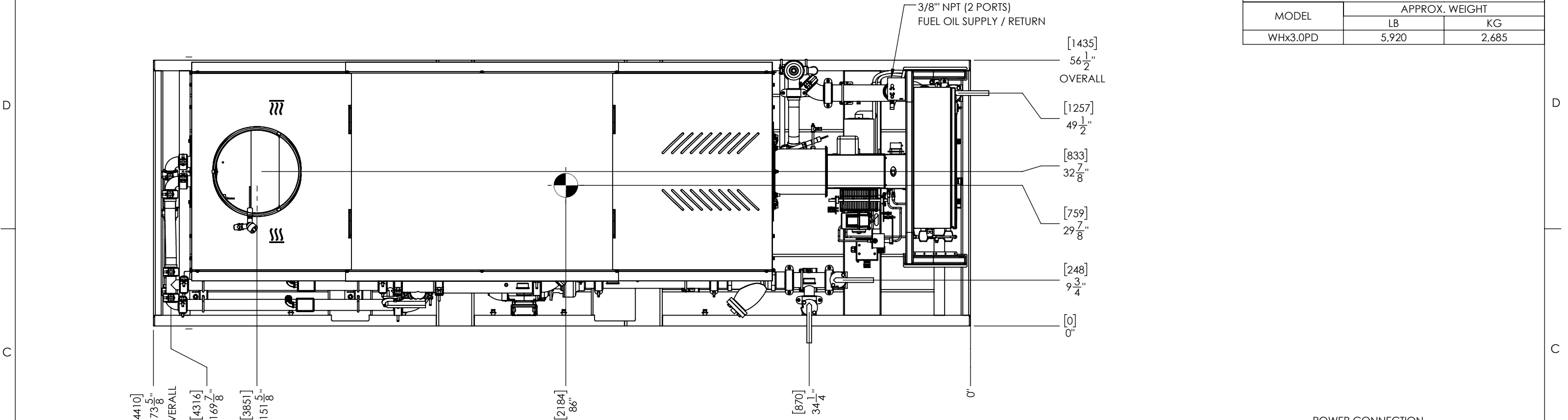


4 3 2 1

APPLICABLE MACHINES		
MODEL	APPROX. WEIGHT	
	LB	KG
WHX3.OPD	5,920	2,685



REV.	DESCRIPTION	DATE	BY
A-04	ECO 00256	03/28/24	JL
A-03	ECO 00243 UPDATES	01/16/24	JL
A-02	UPDATED ENCLOSURE	06/27/23	LN
A-01	ORIGINAL	06/07/23	MW

PROPRIETARY AND CONFIDENTIAL THE INFORMATION CONTAINED IN THIS DRAWING IS THE SOLE PROPERTY OF SIOUX CORP. ANY REPRODUCTION IN PART OR AS A WHOLE WITHOUT WRITTEN PERMISSION OF SIOUX CORP IS PROHIBITED. DO NOT SCALE DRAWING	UNLESS NOTED:	DRN LN 06/07/23
	DIMENSIONS IN INCHES, [mm] FOR REFERENCE ONLY	CHK MW 06/07/23
	TOLERANCES	SIZE B SCALE 1:20
	THIRD-ANGLE PROJECTION	
LINEAR: ±[13] 1/2		
ANGULAR: ±2°		

SIOUX		
SIOUX CORPORATION, ONE SIOUX PLAZA, BERESFORD, SD 57004		
WHX3.OPD		
GA25289	REV A-04	SH 1/1

4 3 2 1