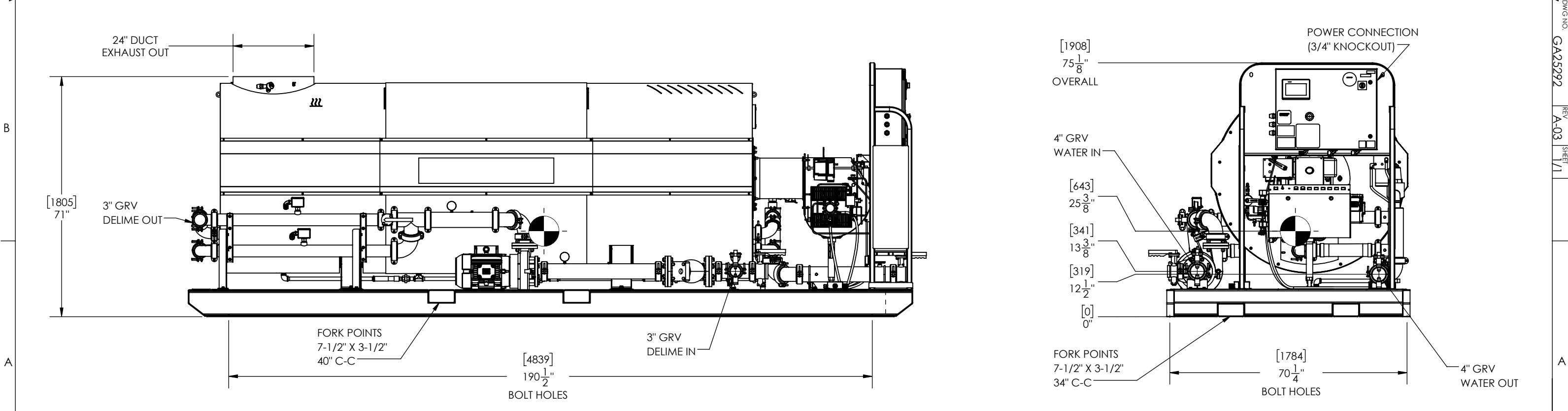
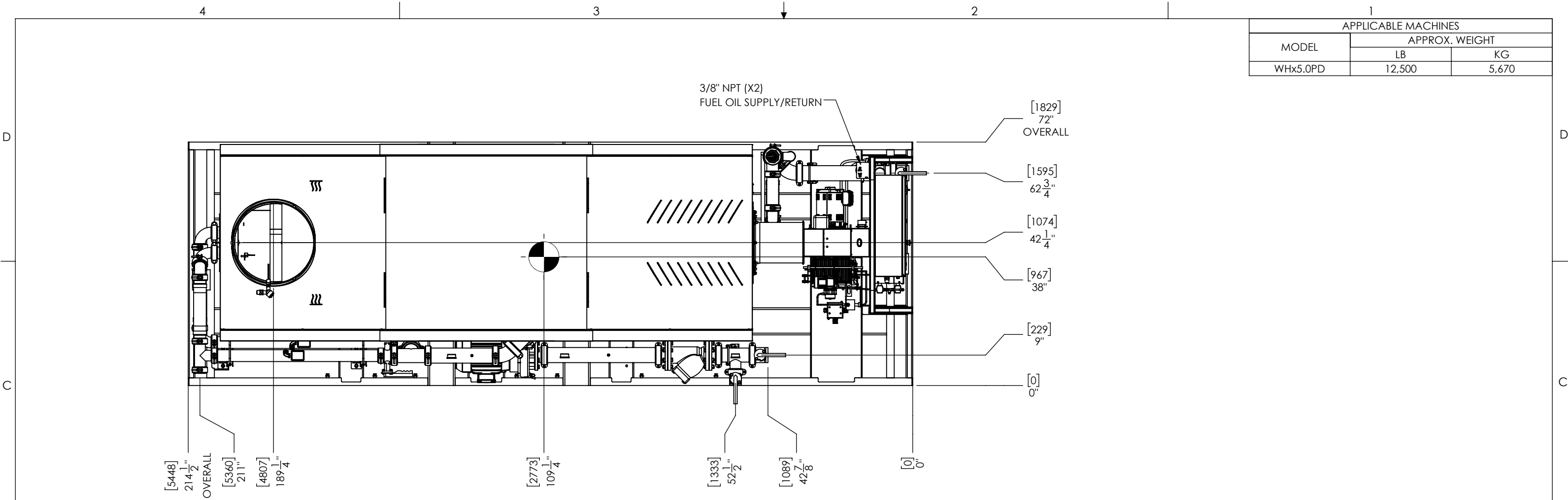


MODEL	APPROX. WEIGHT	
	LB	KG
WHx5.OPD	12,500	5,670



REV.	DESCRIPTION	DATE	BY
A-03	ECO 00256	03/28/24	JL
A-02	ECO 00243 UPDATES	01/16/24	JL
A-01	APPROVED FOR RELEASE	07/10/23	LN

<b>PROPRIETARY AND CONFIDENTIAL</b> THE INFORMATION CONTAINED IN THIS DRAWING IS THE SOLE PROPERTY OF SIOUX CORP. ANY REPRODUCTION IN PART OR AS A WHOLE WITHOUT WRITTEN PERMISSION OF SIOUX CORP IS PROHIBITED. DO NOT SCALE DRAWING	UNLESS NOTED: DIMENSIONS IN INCHES, [mm] FOR REFERENCE ONLY	DRN JL 06/09/23	
	TOLERANCES	CHK LN 07/10/23	
	LINEAR: ±[13] 1/2	SIZE B SCALE 1:28	
	ANGULAR: ±2°	THIRD-ANGLE PROJECTION	

**SIOUX**  
SIOUX CORPORATION, ONE SIOUX PLAZA, BERESFORD, SD 57004

WHX5.OPD

GA25292

REV A-03 SH 1/1

DWG. NO. GA25292 REV. A-03 SHEET 1/1