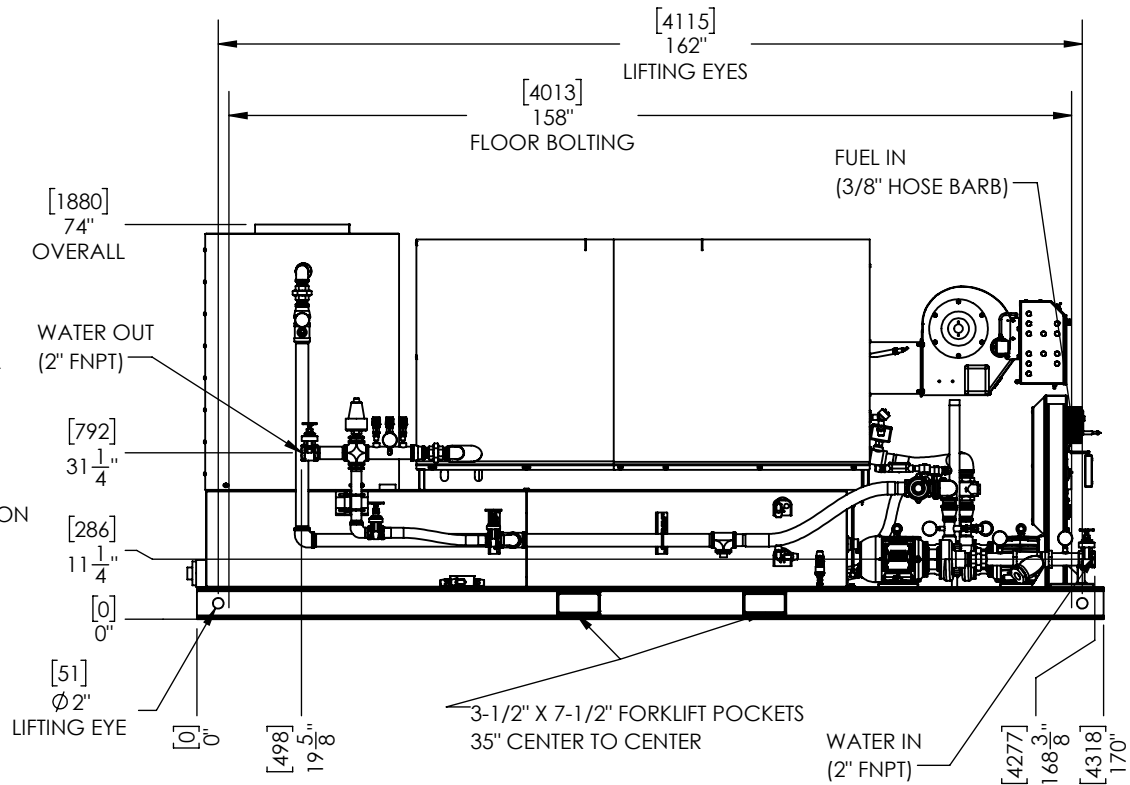
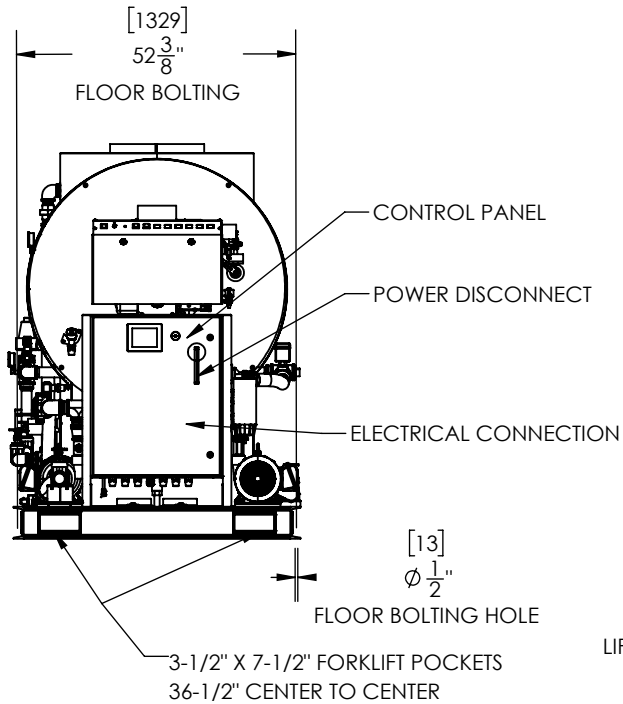
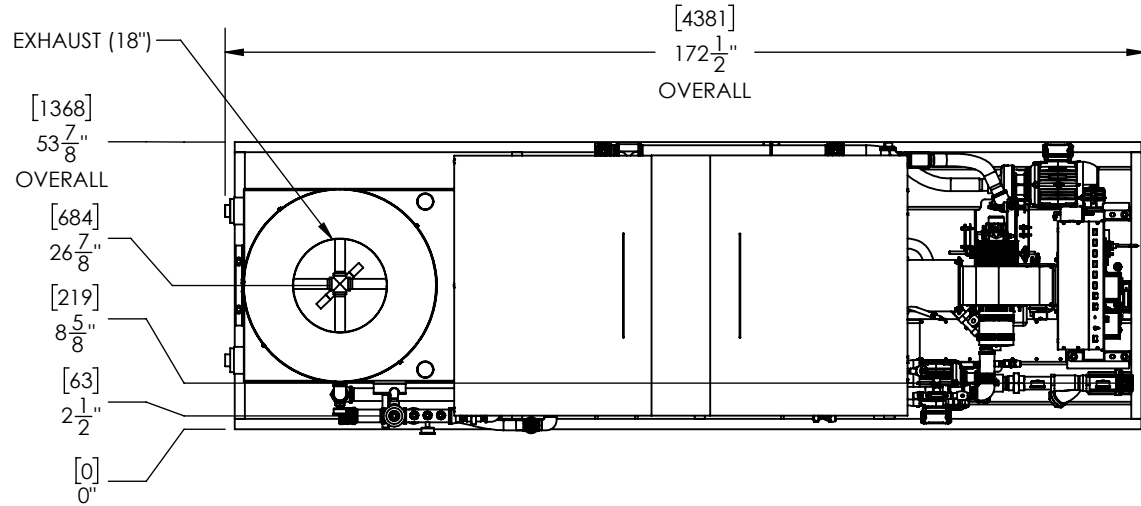


APPLICABLE MACHINES		
MODEL	APPROX. WEIGHT	
	LB	KG
HH3 OIL	5630	2550

NOTE: SUGGESTED MINIMUM CLEARANCES FOR SERVICE ACCESS ARE 36" (914 mm) ON ALL SIDES.



PROPRIETARY AND CONFIDENTIAL
 THE INFORMATION CONTAINED IN THIS DRAWING IS THE SOLE PROPERTY OF SIOUX CORP. ANY REPRODUCTION IN PART OR AS A WHOLE WITHOUT WRITTEN PERMISSION OF SIOUX CORP IS PROHIBITED.

UNLESS NOTED: DRN TO 6/25/2021
 DIMENSIONS IN INCHES, (mm) FOR REFERENCE ONLY. CHK TO 8/6/2021
 TOLERANCES: LINEAR: ±1/2" ANGULAR: ±2°

SIOUX CORPORATION
 ONE SIOUX PLAZA, BERESFORD, SD 57004

HH3 OIL

GA24105 - HH3 OIL

GA24105

REV **A-02** SH 1/1

REV.	DESCRIPTION	DATE	BY
A-02	ECO 00228 CHANGES	09/20/21	JL
A-01	ORIGINAL	08/06/21	TO

