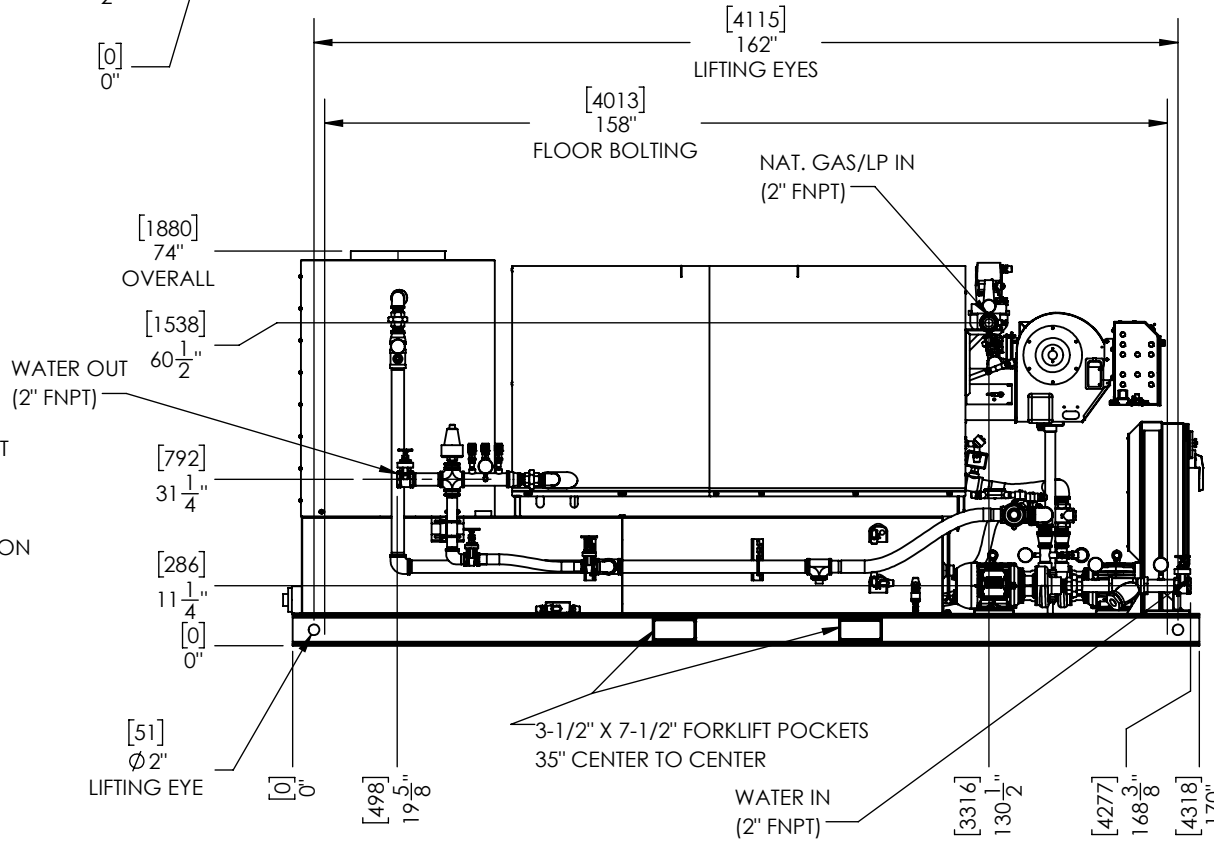
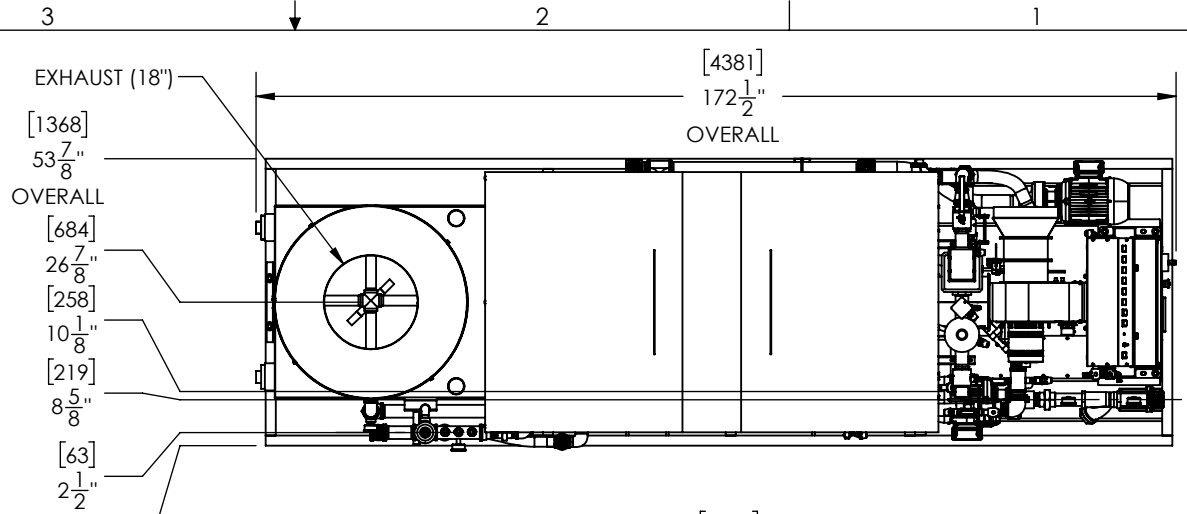
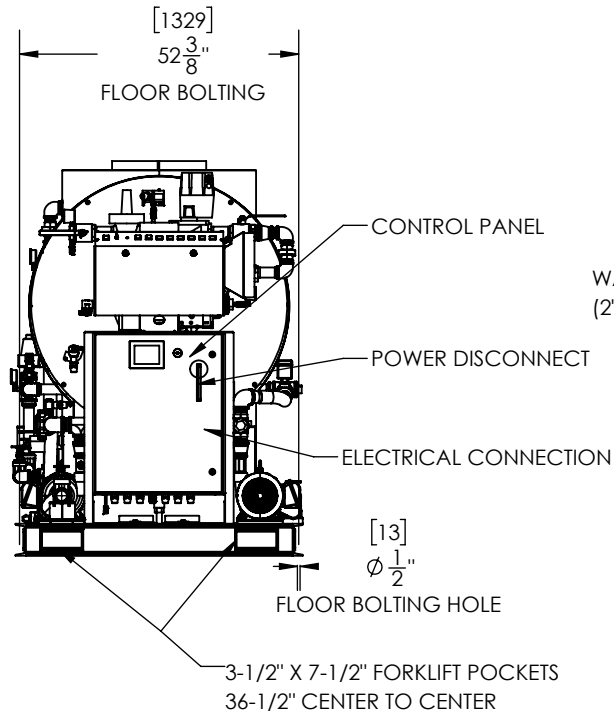


APPLICABLE MACHINES		
MODEL	APPROX. WEIGHT	
	LB	KG
HH3 GAS	5630	2550

NOTE: SUGGESTED MINIMUM CLEARANCES FOR SERVICE ACCESS ARE 36" (914 mm) ON ALL SIDES.



PROPRIETARY AND CONFIDENTIAL THE INFORMATION CONTAINED IN THIS DRAWING IS THE SOLE PROPERTY OF SIOUX CORP. ANY REPRODUCTION IN PART OR AS A WHOLE WITHOUT WRITTEN PERMISSION OF SIOUX CORP IS PROHIBITED.				UNLESS NOTED: DIMENSIONS IN INCHES. [mm] FOR REFERENCE ONLY. TOLERANCES LINEAR: ±1/2" ANGULAR: ±2°		DRN JZ 2/17/2021 CHK LN 2/17/2021 QC		SIOUX CORPORATION ONE SIOUX PLAZA, BERESFORD, SD 57004 HH3 GAS	
A-03	ECO 00228 CHANGES	09/20/21	JL	THIRD-ANGLE PROJECTION		SIZE A	SCALE 1:36	FILE	GA23957 - HH3 GAS
A-02	UPDATED CALLOUTS/DIM.	08/06/21	TO			GA23957		REV	A-03
A-01	ORIGINAL	02/17/21	LN	DO NOT SCALE DRAWING				SH	1/1
REV.	DESCRIPTION	DATE	BY						

DWG. NO. GA23957
 REV. A-03
 SHEET 1/1