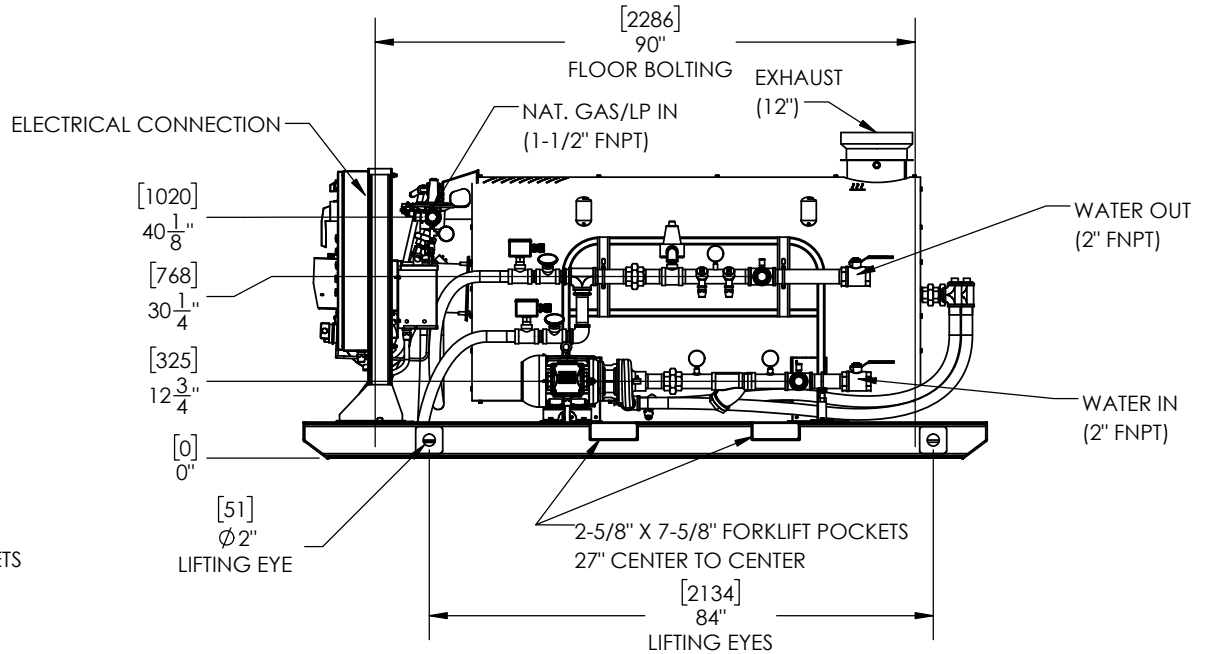
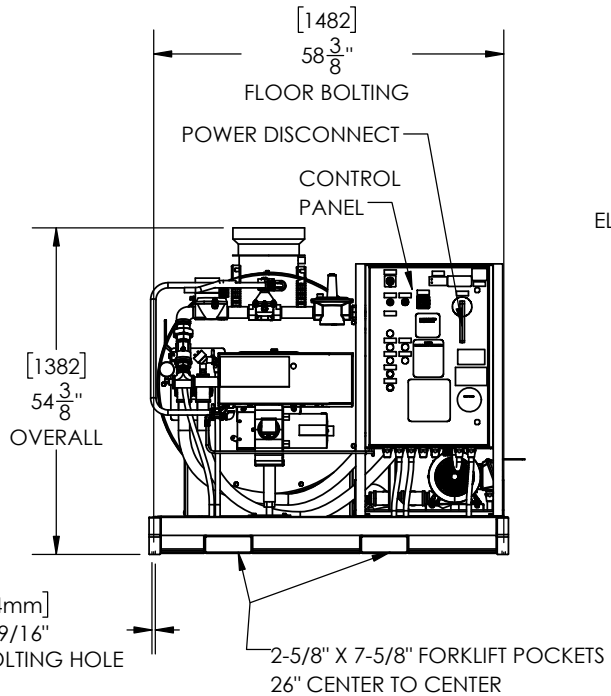
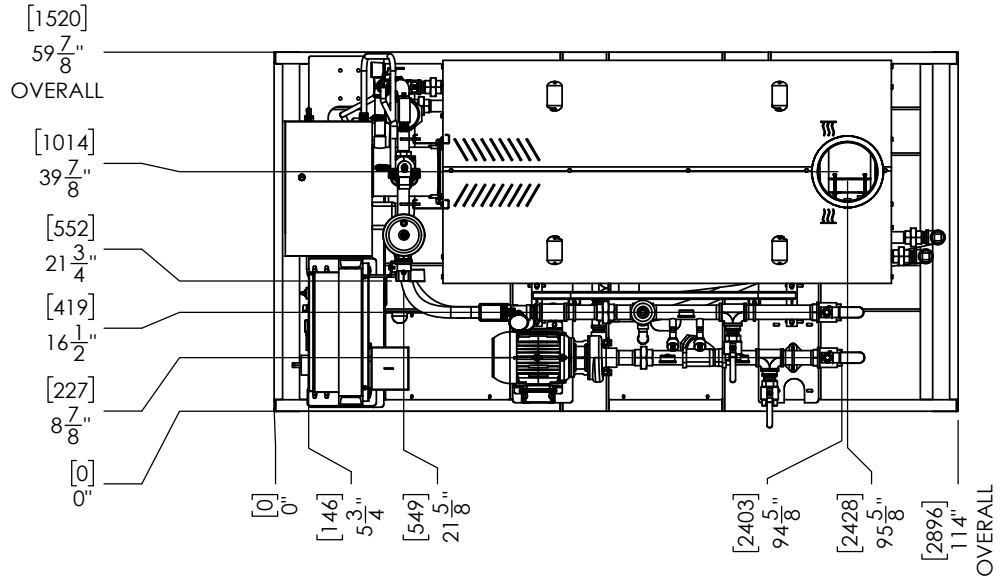


MODEL	APPROX. WEIGHT	
	LB	KG
HM-1.7 GAS	3600	1633

NOTE: SUGGESTED MINIMUM CLEARANCES FOR SERVICE ACCESS ARE 36" (914 mm) ON ALL SIDES. ALLOW AT LEAST 72" (1829 mm) AT THE FRONT OR REAR OF HEATER FOR REMOVAL OF THE COIL.



A-03			UPDATED CALLOUTS/DIM.	07/26/21			<b>SIoux CORPORATION</b> ONE SIOUX PLAZA, BERESFORD, SD 57004 HM-1.7 GAS	
A-02			UPDATED CALLOUTS/DIM.	06/25/21	TO			GA23798 - HM-1.7 GAS
A-01			ORIGINAL	12/15/20	JZ			GA23798
REV.	DESCRIPTION	DATE	BY	DO NOT SCALE DRAWING		UNLESS NOTED: DIMENSIONS IN INCHES. (mm) FOR REFERENCE ONLY. TOLERANCES LINEAR: ±1/2" ANGULAR: ±2°		THIRD-ANGLE PROJECTION 
						DRN LN 12/7/2020 CHK JZ 12/15/2020 QC		SCALE 1:32 FILE GA23798 - HM-1.7 GAS REV A-03 SH 1/1

DWG NO. GA23798  
 REV A-03  
 SHEET 1/1