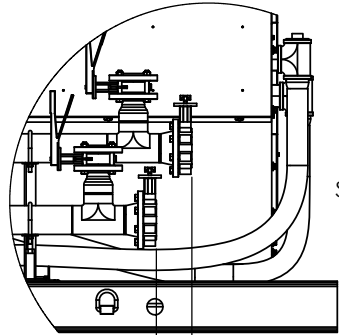


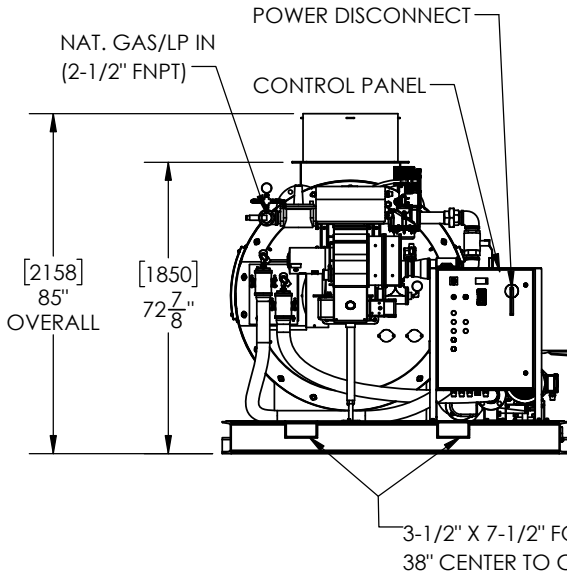
APPLICABLE MACHINES		
MODEL	APPROX. WEIGHT	
	LB	KG
HM-5.0PG	13000	5897

NOTE: SUGGESTED MINIMUM CLEARANCES FOR SERVICE ACCESS ARE 36" (914 mm) ON ALL SIDES.



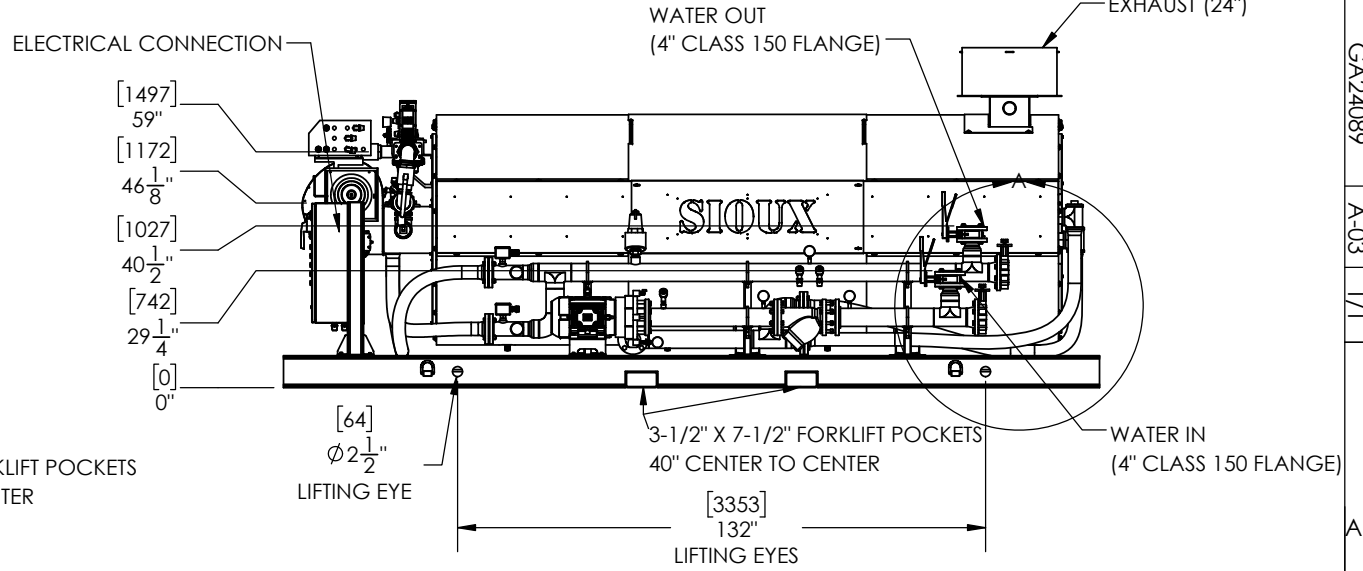
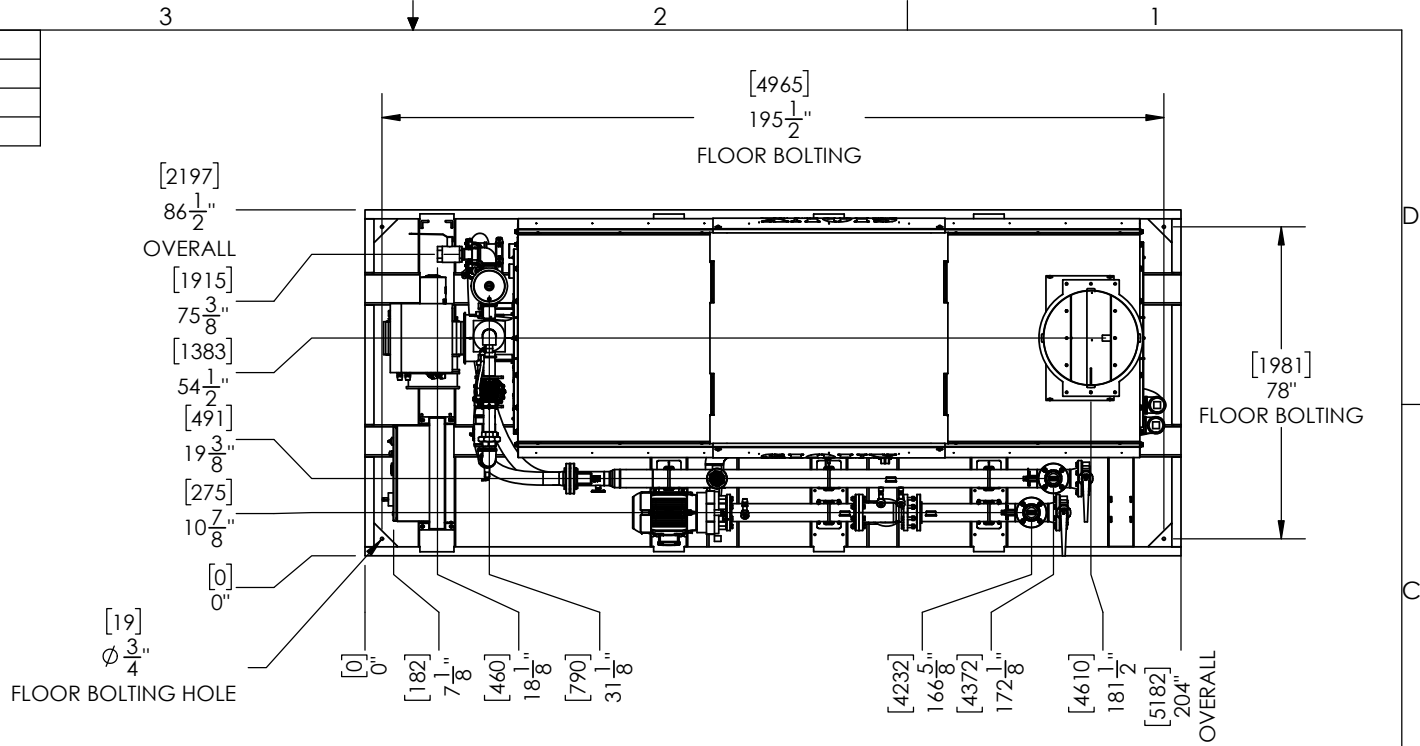
DETAIL A
SCALE 1 : 30

[718] 28 1/4"
[578] 22 3/4"



[2158] 85" OVERALL
[1850] 72 7/8"

3-1/2" X 7-1/2" FORKLIFT POCKETS
38" CENTER TO CENTER



PROPRIETARY AND CONFIDENTIAL
THE INFORMATION CONTAINED IN THIS DRAWING IS THE SOLE PROPERTY OF SIOUX CORP. ANY REPRODUCTION IN PART OR AS A WHOLE WITHOUT WRITTEN PERMISSION OF SIOUX CORP IS PROHIBITED.
DO NOT SCALE DRAWING

UNLESS NOTED: DIMENSIONS IN INCHES. (mm) FOR REFERENCE ONLY.
TOLERANCES
LINEAR: ±1/2"
ANGULAR: ±2°

DRN TO 6/25/2021	SIOUX CORPORATION ONE SIOUX PLAZA, BERESFORD, SD 57004		
CHK TO 8/6/2021			
QC	HM-5.0PG		
THIRD-ANGLE PROJECTION	SIZE A	SCALE 1:48	FILE GA24089 - HM-5.0PG
	GA24089		REV A-03 SH 1/1

A-03	ADDED VIEW	08/30/21	LN
A-02	NARROWED SKID	08/30/21	LN
A-01	ORIGINAL	08/06/21	TO
REV.	DESCRIPTION	DATE	BY

DWG. NO. GA24089 REV. A-03 SHEET 1/1