

APPLICABLE MACHINES		
MODEL	APPROX. WEIGHT	
	LB	KG
HM-5.0SG	13000	5897

NOTE: SUGGESTED MINIMUM CLEARANCES FOR SERVICE ACCESS ARE 36" (914 mm) ON ALL SIDES.

D

C

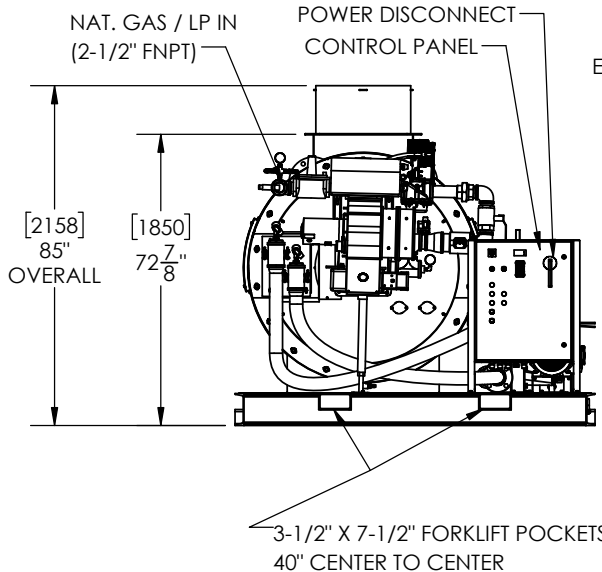
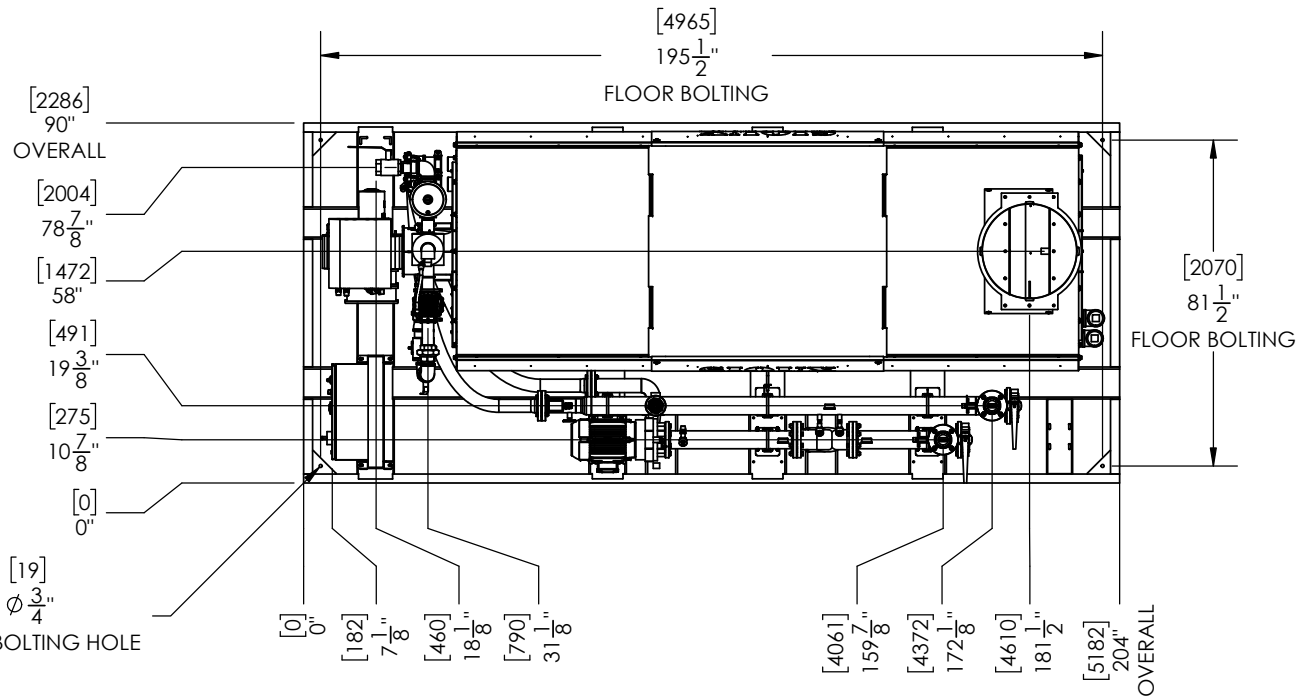
B

A

3

2

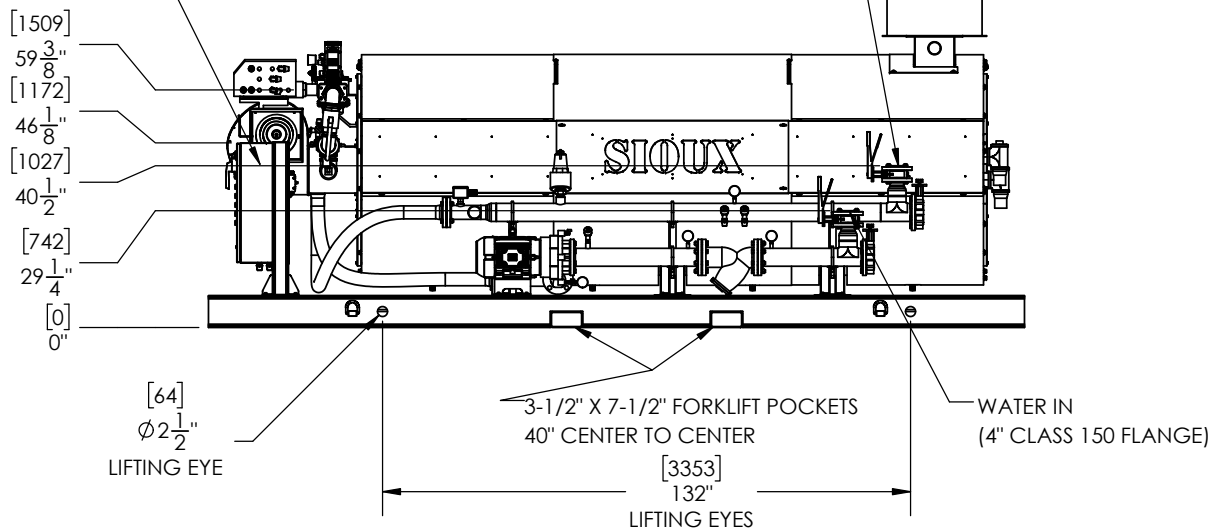
1



ELECTRICAL CONNECTION

WATER OUT (4" CLASS 150 FLANGE)

EXHAUST (24")



PROPRIETARY AND CONFIDENTIAL
THE INFORMATION CONTAINED IN THIS DRAWING IS THE SOLE PROPERTY OF SIOUX CORP. ANY REPRODUCTION IN PART OR AS A WHOLE WITHOUT WRITTEN PERMISSION OF SIOUX CORP IS PROHIBITED.

UNLESS NOTED: DIMENSIONS IN INCHES, (mm) FOR REFERENCE ONLY.
TOLERANCES
LINEAR: ±1/2"
ANGULAR: ±2°

DRN TO 6/25/2021
CHK TO 8/6/2021
QC
THIRD-ANGLE PROJECTION
SIZE A SCALE 1:48 FILE GA24091 - HM-5.0S GAS
SIOUX CORPORATION
ONE SIOUX PLAZA, BERESFORD, SD 57004
HM-5.0SG
GA24091
REV A-01 SH 1/1

A-01	ORIGINAL DESCRIPTION	08/06/21	TO
REV.		DATE	BY

4

3

DWG. NO. GA24091 REV. A-01 SHEET 1/1