

APPLICABLE MACHINES		
MODEL	APPROX. WEIGHT	
	LB	KG
MS-1 OIL	1500	680

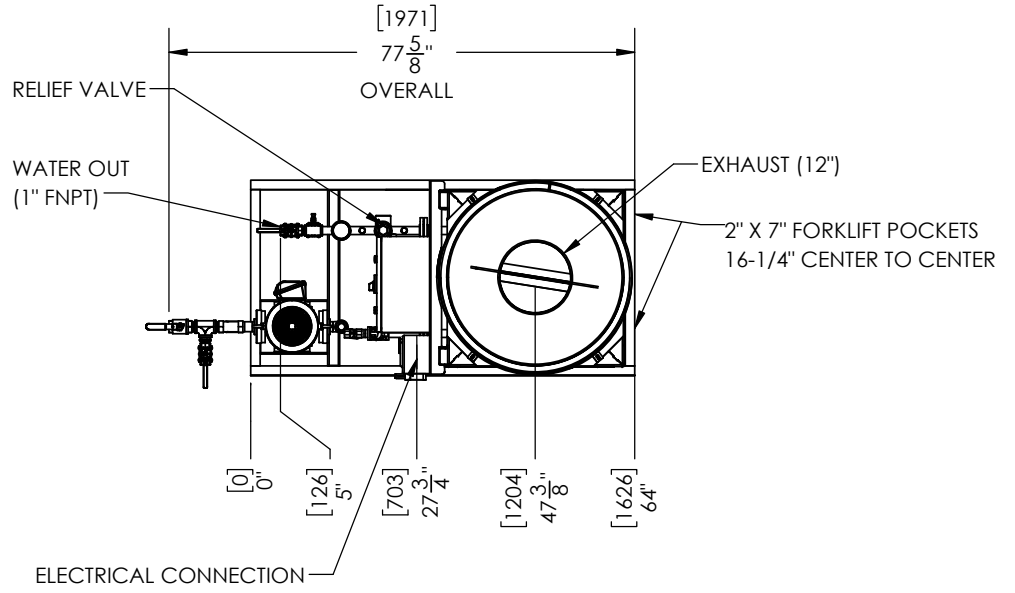
NOTE: SUGGESTED MINIMUM CLEARANCES FOR SERVICE ACCESS ARE 36" (914 mm) ON ALL SIDES.

D
C
B
A

3

2

1



[791]
31 ¹/₈"
FLOOR BOLTING

[2096]
82 ¹/₂"
OVERALL

CONTROL PANEL

POWER DISCONNECT

[1510]
59 ³/₈"

[644]
25 ³/₈"

[180]
7 ¹/₈"

[0] 0"

[0] 0"

[213] 8 ³/₈"

[411] 16 ¹/₄"

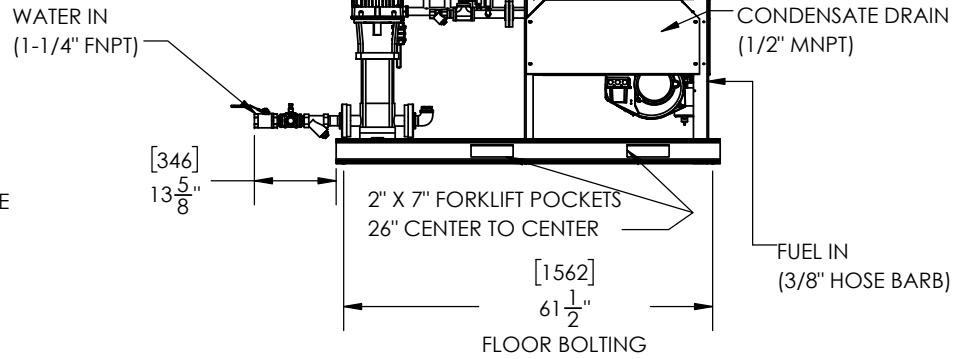
[621] 24 ³/₈"

[827] 32 ¹/₂"

[845] 33 ¹/₄"

[16]
Ø 5 ⁵/₈"
FLOOR BOLTING HOLE

OVERALL



DWG. NO. GA24085 REV. A-02 SHEET 1/1

PROPRIETARY AND CONFIDENTIAL
THE INFORMATION CONTAINED IN THIS DRAWING IS THE SOLE PROPERTY OF SIOUX CORP. ANY REPRODUCTION IN PART OR AS A WHOLE WITHOUT WRITTEN PERMISSION OF SIOUX CORP IS PROHIBITED.

UNLESS NOTED: DIMENSIONS IN INCHES. (mm) FOR REFERENCE ONLY.
TOLERANCES
LINEAR: ±1/2"
ANGULAR: ±2°

THIRD-ANGLE PROJECTION

DRN TO 6/17/2021	SIOUX CORPORATION ONE SIOUX PLAZA, BERESFORD, SD 57004		
CHK JL 6/22/2021	MS-1 OIL		
QC	SIZE A	SCALE 1:32	FILE GA24085 - MS-1 OIL
	GA24085	REV A-02	SH 1/1

A-02	UPDATED CALLOUTS	07/30/21	TO
A-01	APPROVED FOR RELEASE	06/22/21	JL
REV.	DESCRIPTION	DATE	BY

4

3

↑