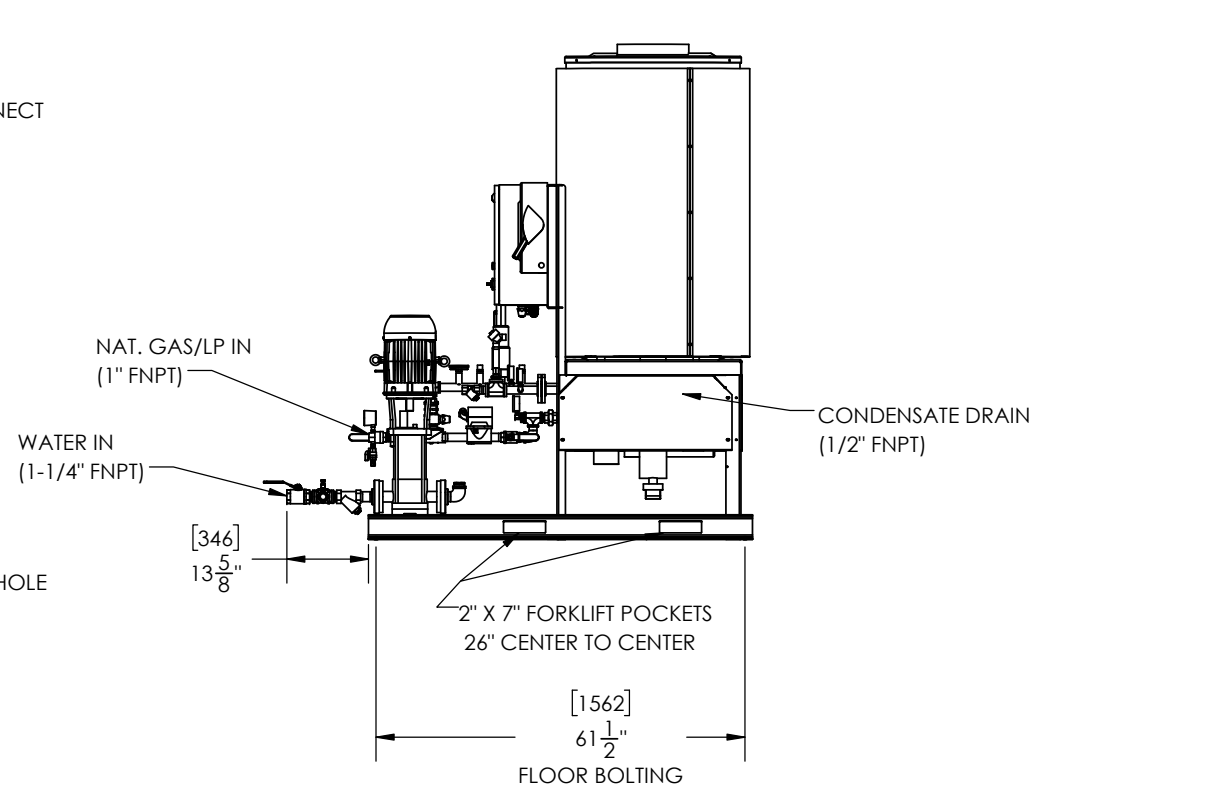
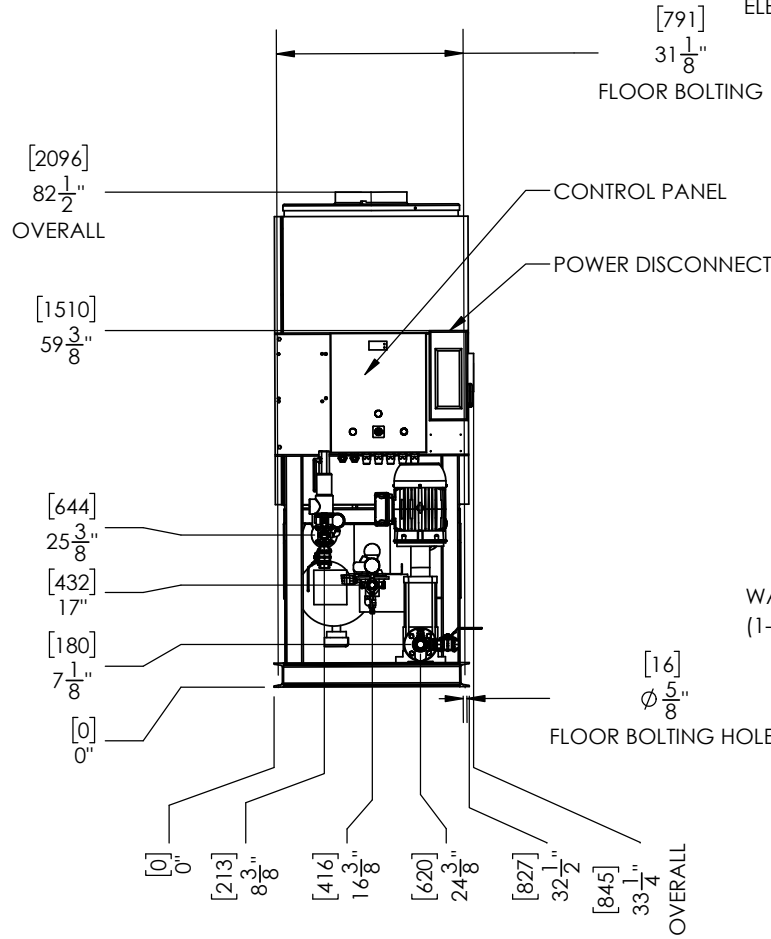
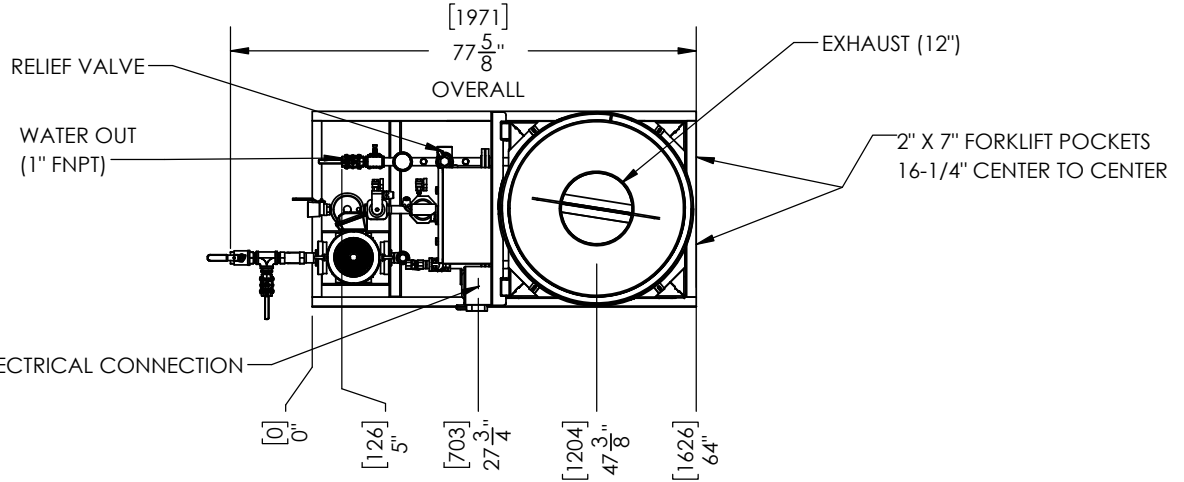


APPLICABLE MACHINES		
MODEL	APPROX. WEIGHT	
	LB	KG
MS-1 GAS	1500	680

NOTE: SUGGESTED MINIMUM CLEARANCES FOR SERVICE ACCESS ARE 36" (914 mm) ON ALL SIDES.

D
C
B
A

3 2 1



C
B
A
DRAWING NO. GA24084 REV. A-02 SHEET 1/1

PROPRIETARY AND CONFIDENTIAL
THE INFORMATION CONTAINED IN THIS DRAWING IS THE SOLE PROPERTY OF SIOUX CORP. ANY REPRODUCTION IN PART OR AS A WHOLE WITHOUT WRITTEN PERMISSION OF SIOUX CORP IS PROHIBITED.

UNLESS NOTED: DIMENSIONS IN INCHES. (mm) FOR REFERENCE ONLY.
TOLERANCES
LINEAR: ±1/2"
ANGULAR: ±2°

DRN TO 5/21/2021
CHK JL 6/22/2021
QC
THIRD-ANGLE PROJECTION

SIOUX CORPORATION
ONE SIOUX PLAZA, BERESFORD, SD 57004

MS-1 GAS

GA24084

A-02

1/1

REV.	DESCRIPTION	DATE	BY	TO
A-02	UPDATED CALLOUTS	07/30/21	TO	
A-01	APPROVED FOR RELEASE	06/22/21	JL	

4 3

DO NOT SCALE DRAWING