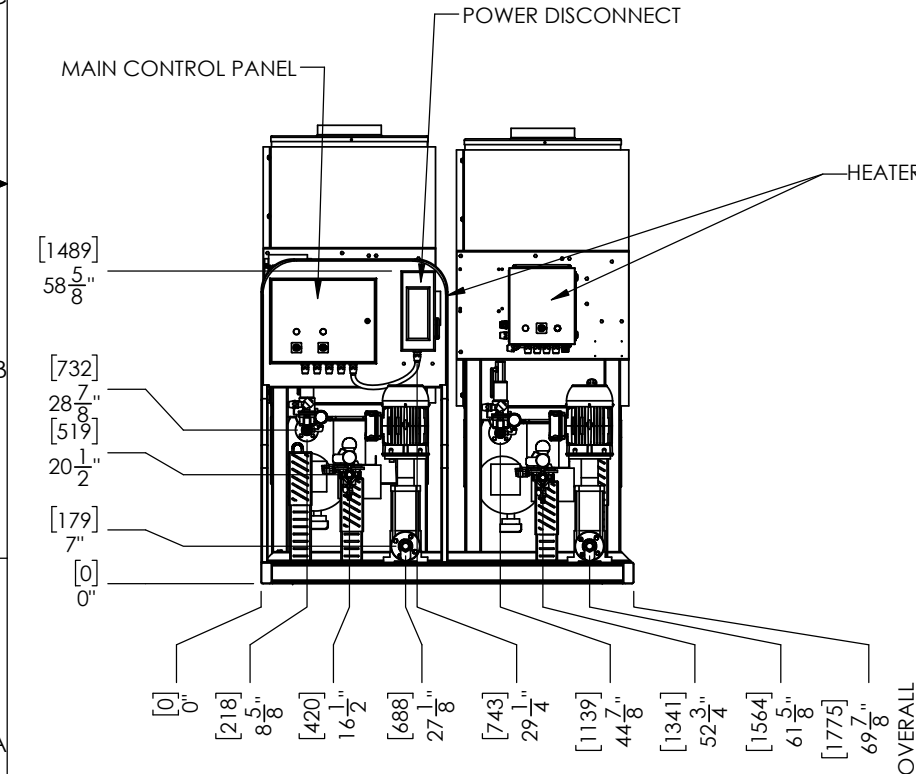


| APPLICABLE MACHINES | | |
|---------------------|----------------|------|
| MODEL | APPROX. WEIGHT | |
| | LB | KG |
| MS-2 GAS | 3000 | 1361 |

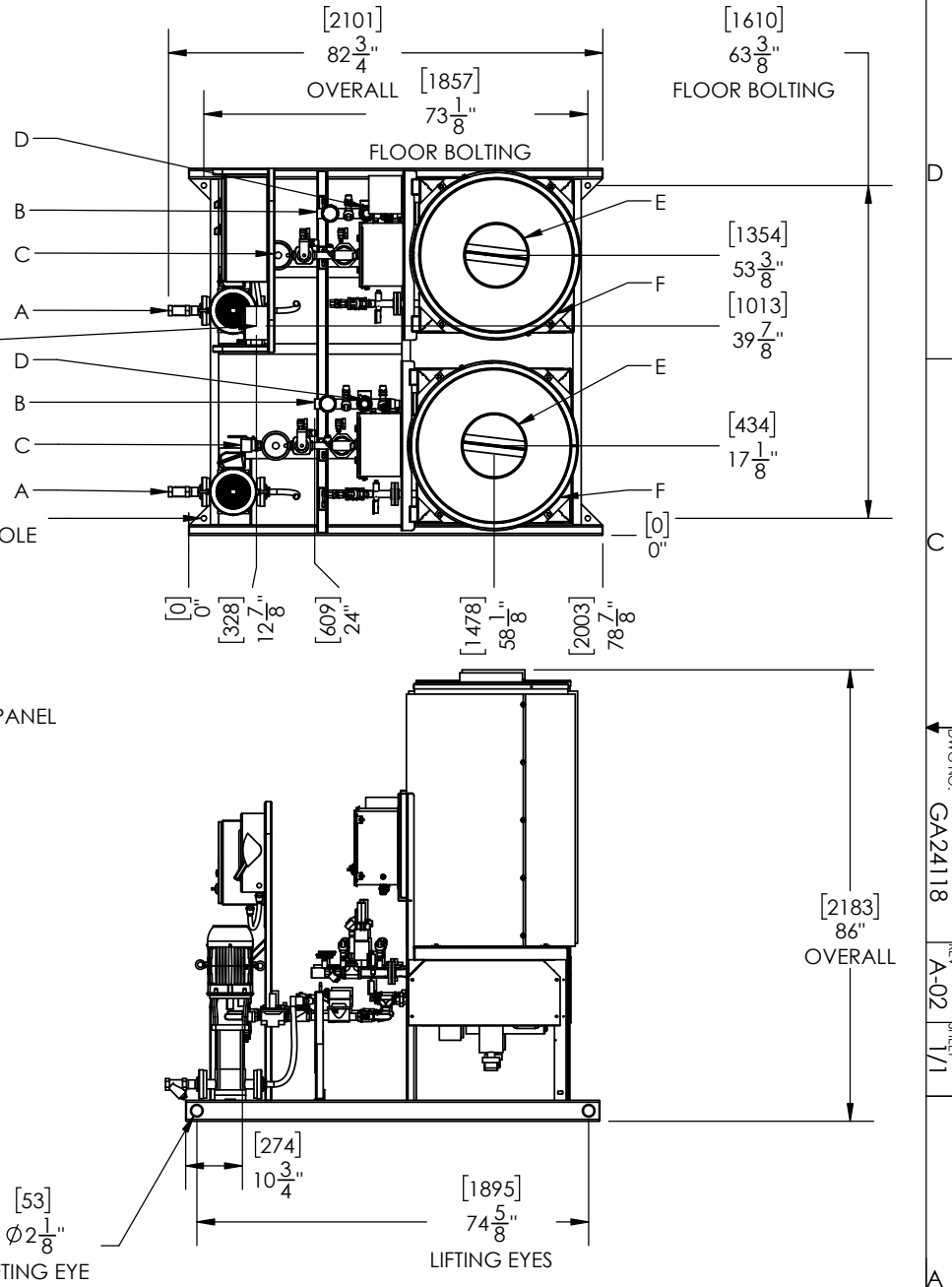
| LETTER | DESCRIPTION |
|--------|---|
| A | WATER IN (1-1/4" FNPT) |
| B | WATER OUT (1" FNPT) |
| C | NAT. GAS/LP IN (1" FNPT) |
| D | RELIEF VALVE |
| E | EXHAUST (12") |
| F | CONDENSATE DRAIN (UNDER HEATER) (1/2" MNPT) |

NOTE: SUGGESTED MINIMUM CLEARANCES FOR SERVICE ACCESS ARE 36" (914 mm) ON ALL SIDES.



ELECTRICAL CONNECTION

[25] Ø 1" FLOOR BOLTING HOLE



PROPRIETARY AND CONFIDENTIAL
 THE INFORMATION CONTAINED IN THIS DRAWING IS THE SOLE PROPERTY OF SIOUX CORP. ANY REPRODUCTION IN PART OR AS A WHOLE WITHOUT WRITTEN PERMISSION OF SIOUX CORP IS PROHIBITED.

UNLESS NOTED: DRN TO 6/17/2021
 DIMENSIONS IN INCHES. (mm) FOR REFERENCE ONLY. CHK JL 6/22/2021
 TOLERANCES: THIRD-ANGLE PROJECTION
 LINEAR: ±1/2"
 ANGULAR: ±2°

SIOUX CORPORATION
 ONE SIOUX PLAZA, BERESFORD, SD 57004

MS-2 GAS

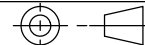
GA24118 - MS-2 GAS

GA24118 SCALE 1:36 FILE

REV **A-02** SH 1/1

| REV. | DESCRIPTION | DATE | BY | TO |
|------|----------------------|----------|----|----|
| A-02 | UPDATED CALLOUTS | 07/30/21 | TO | |
| A-01 | APPROVED FOR RELEASE | 06/22/21 | JL | |

DO NOT SCALE DRAWING



DWG. NO. GA24118 REV A-02 SHEET 1/1