

MODEL	APPROX. WEIGHT	
	LB	KG
M-1 GAS	1500	680

NOTE: SUGGESTED MINIMUM CLEARANCES FOR SERVICE ACCESS ARE 36" (914 mm) ON ALL SIDES.

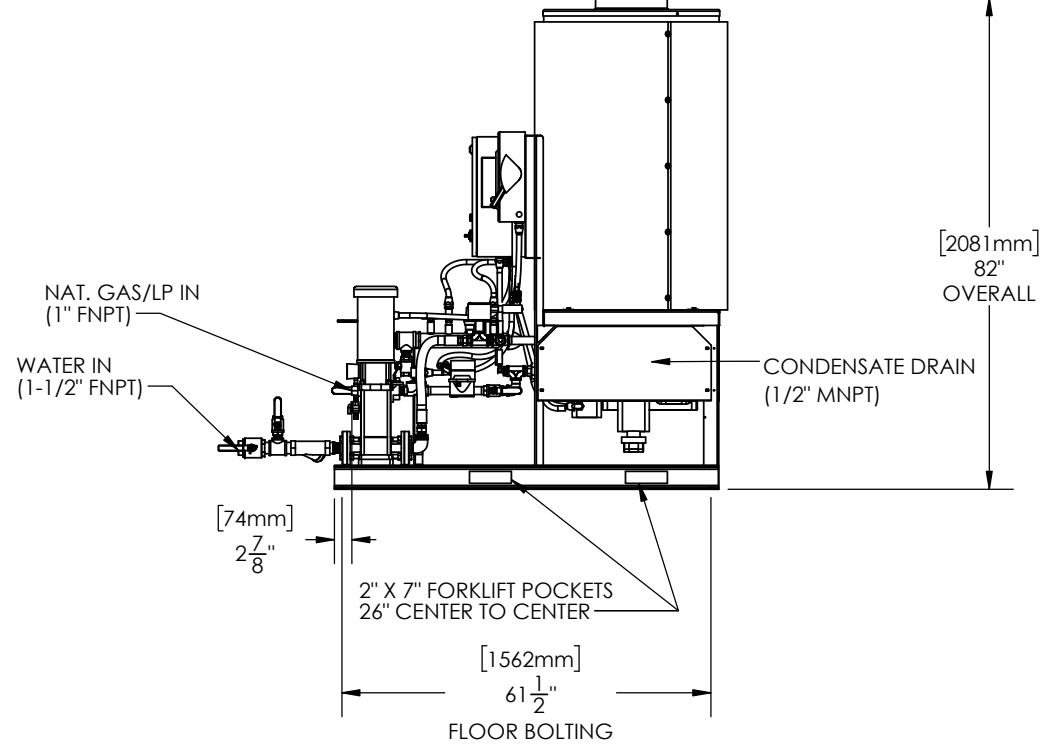
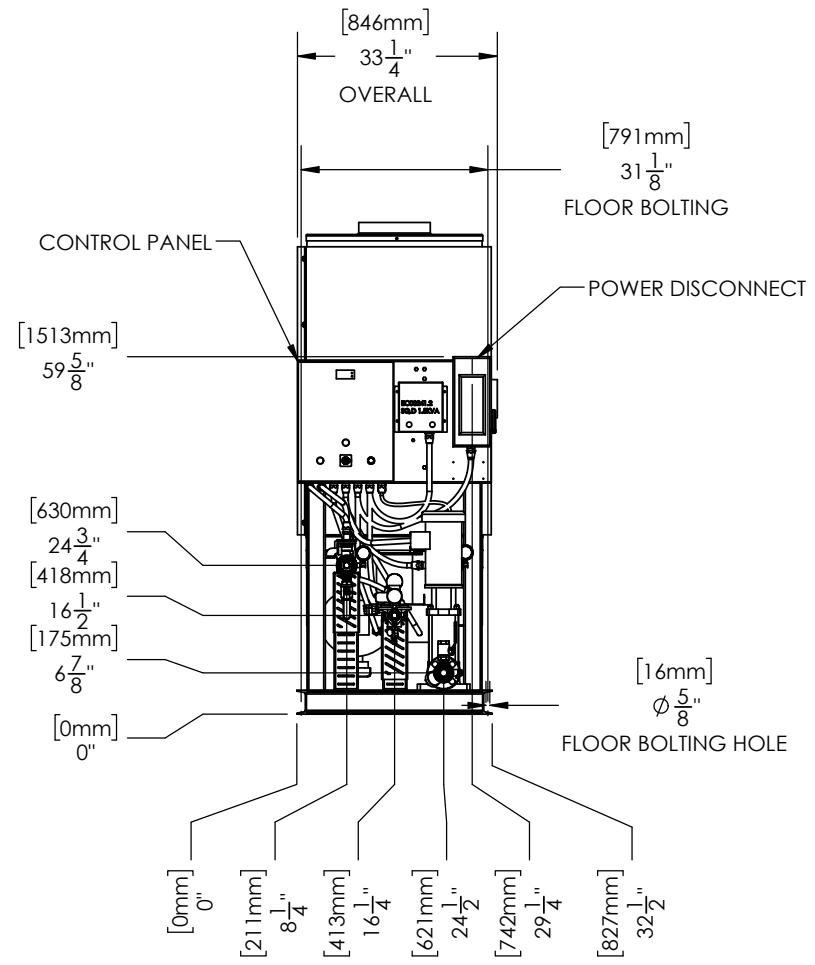
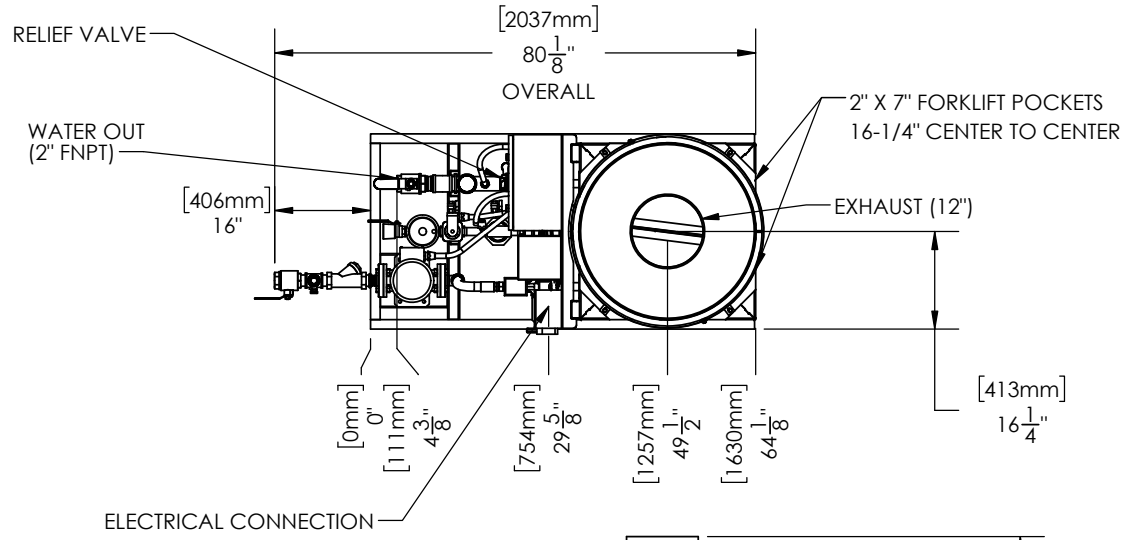
D
C
B
A

4

3

2

1



DWG. NO. GA23781 REV. A-10 SHEET 1/1

PROPRIETARY AND CONFIDENTIAL
THE INFORMATION CONTAINED IN THIS DRAWING IS THE SOLE PROPERTY OF SIOUX CORP. ANY REPRODUCTION IN PART OR AS A WHOLE WITHOUT WRITTEN PERMISSION OF SIOUX CORP IS PROHIBITED.

UNLESS NOTED: DRN LN 12/16/2020
DIMENSIONS IN INCHES. (mm) FOR REFERENCE ONLY. CHK JZ 12/16/2020
TOLERANCES
LINEAR: ±1/2"
ANGULAR: ±2°

SIOUX CORPORATION
ONE SIOUX PLAZA, BERESFORD, SD 57004

M-1 GAS

GA23781 - M-1 GAS

GA23781

REV A-10 SH 1/1

REV.	DESCRIPTION	DATE	BY	TO
A-10	ADDED CALLOUTS/DIM.	06/16/21	TO	
A-02	ADDED CALLOUTS/DIM.	05/20/21	TO	

4

3

↑