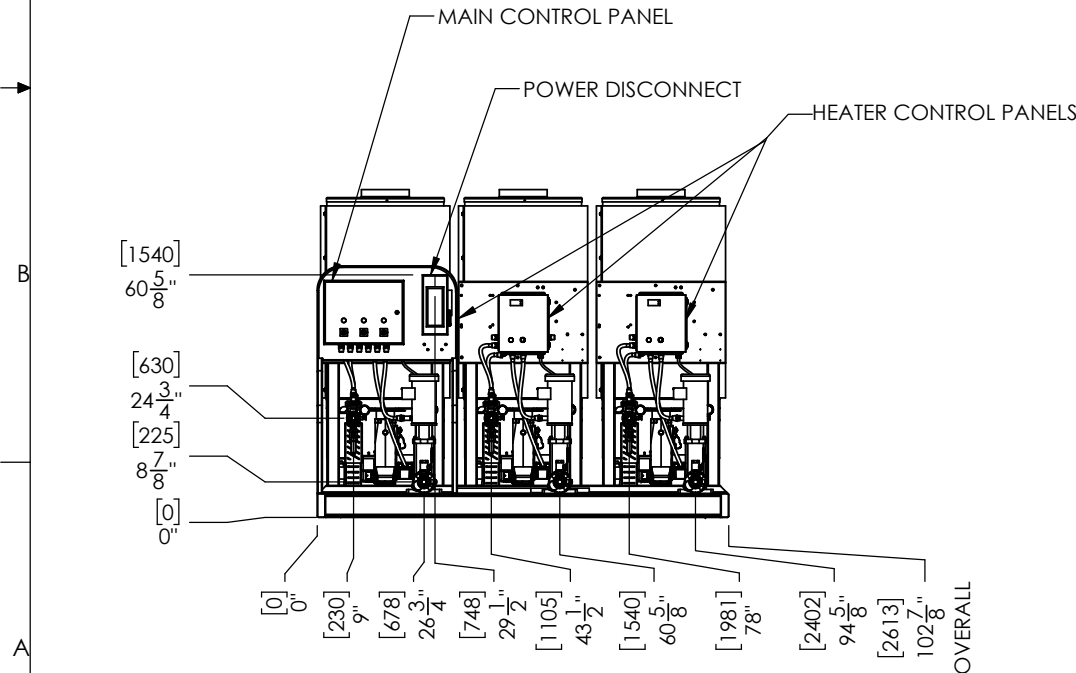


APPLICABLE MACHINES		
MODEL	APPROX. WEIGHT	
	LB	KG
M-3 OIL	4500	2041

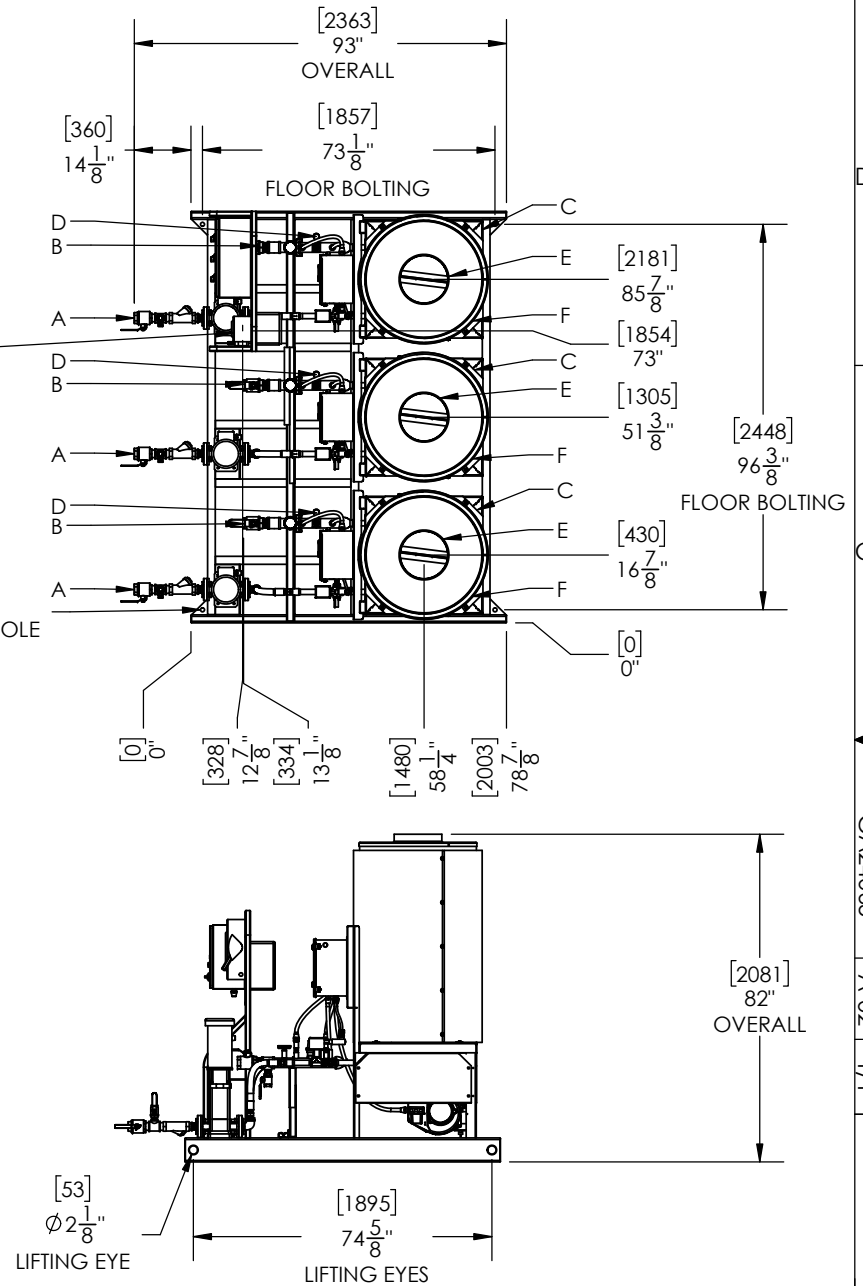
LETTER	DESCRIPTION
A	WATER IN (1-1/2" FNPT)
B	WATER OUT (2" FNPT)
C	FUEL IN (3/8" HOSE BARB)
D	RELIEF VALVE
E	EXHAUST (12")
F	CONDENSATE DRAIN (UNDER HEATER) (1/2" MNPT)

NOTE: SUGGESTED MINIMUM CLEARANCES FOR SERVICE ACCESS ARE 36" (914 mm) ON ALL SIDES.



ELECTRICAL CONNECTION

[25] Ø1" FLOOR BOLTING HOLE



PROPRIETARY AND CONFIDENTIAL
 THE INFORMATION CONTAINED IN THIS DRAWING IS THE SOLE PROPERTY OF SIOUX CORP. ANY REPRODUCTION IN PART OR AS A WHOLE WITHOUT WRITTEN PERMISSION OF SIOUX CORP IS PROHIBITED.

UNLESS NOTED: DIMENSIONS IN INCHES. (mm) FOR REFERENCE ONLY.
 TOLERANCES: LINEAR: ±1/2", ANGULAR: ±2°
 DRN TO 5/21/2021
 CHK JL 6/22/2021
 QC
 THIRD-ANGLE PROJECTION

SIOUX CORPORATION
 ONE SIOUX PLAZA, BERESFORD, SD 57004

M-3 OIL

A-02	UPDATED CALLOUTS/DIM.	07/26/21	TO
A-01	APPROVED FOR RELEASE	06/22/21	JL
REV.	DESCRIPTION	DATE	BY

DO NOT SCALE DRAWING

SIZE	A	SCALE	1:48	FILE	GA24065 - M-3 OIL
GA24065		REV	A-02	SH	1/1

DWG. NO. GA24065 REV. A-02 SHEET 1/1