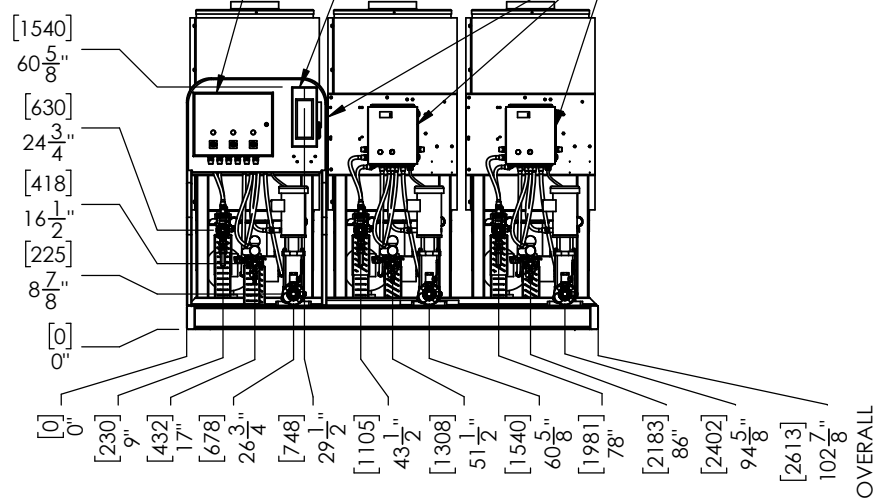


APPLICABLE MACHINES		
MODEL	APPROX. WEIGHT	
	LB	KG
M-3 GAS	4500	2041

LETTER	DESCRIPTION
A	WATER IN (1-1/2" FNPT)
B	WATER OUT (2" FNPT)
C	NAT. GAS/LP IN (1" FNPT)
D	RELIEF VALVE
E	EXHAUST (12")
F	CONDENSATE DRAIN (UNDER HEATER) (1/2" MNPT)

NOTE: SUGGESTED MINIMUM CLEARANCES FOR SERVICE ACCESS ARE 36" (914 mm) ON ALL SIDES.

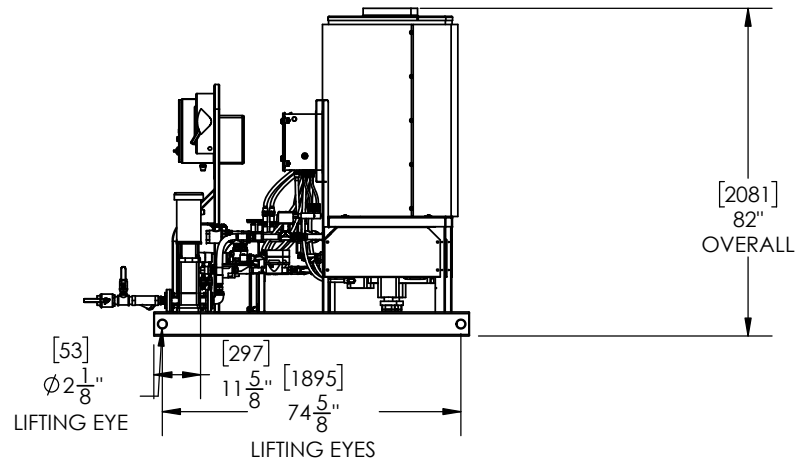
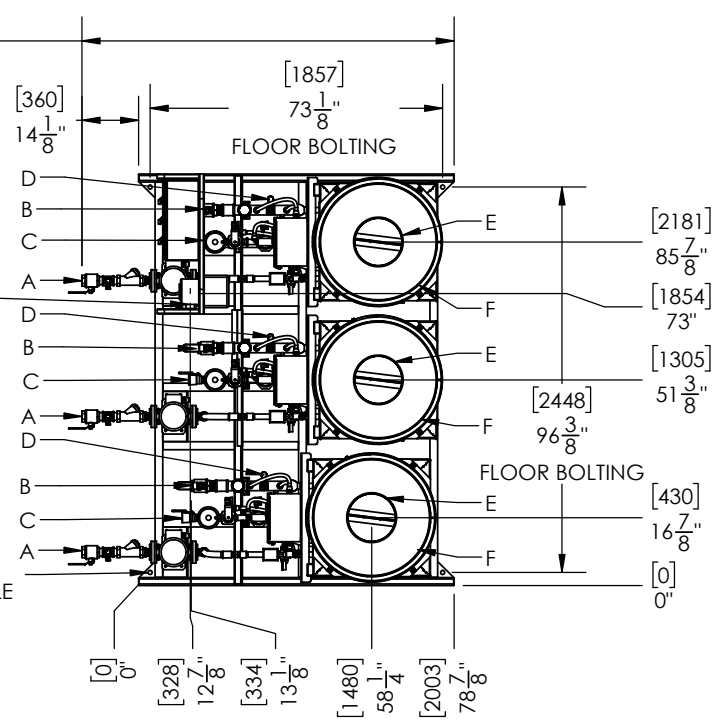
MAIN CONTROL PANEL
POWER DISCONNECT
HEATER CONTROL PANELS



ELECTRICAL CONNECTION

[25] Ø 1"
FLOOR BOLTING HOLE

[2363] 93"
OVERALL



PROPRIETARY AND CONFIDENTIAL
 THE INFORMATION CONTAINED IN THIS DRAWING IS THE SOLE PROPERTY OF SIOUX CORP. ANY REPRODUCTION IN PART OR AS A WHOLE WITHOUT WRITTEN PERMISSION OF SIOUX CORP IS PROHIBITED.

UNLESS NOTED:
 DIMENSIONS IN INCHES. (mm) FOR REFERENCE ONLY.
 TOLERANCES
 LINEAR: ±1/2"
 ANGULAR: ±2°

DRN TO 5/21/2021
 CHK JL 6/22/2021
 QC
 THIRD-ANGLE PROJECTION

SIOUX CORPORATION
 ONE SIOUX PLAZA, BERESFORD, SD 57004

M-3 GAS

GA24064

A-02

1/1

REV.	DESCRIPTION	DATE	BY	DO NOT SCALE DRAWING
A-02	UPDATED CALLOUTS/DIM.	07/26/21	TO	
A-01	APPROVED FOR RELEASE	06/22/21	JL	

DWG. NO. GA24064
 REV. A-02
 SHEET 1/1