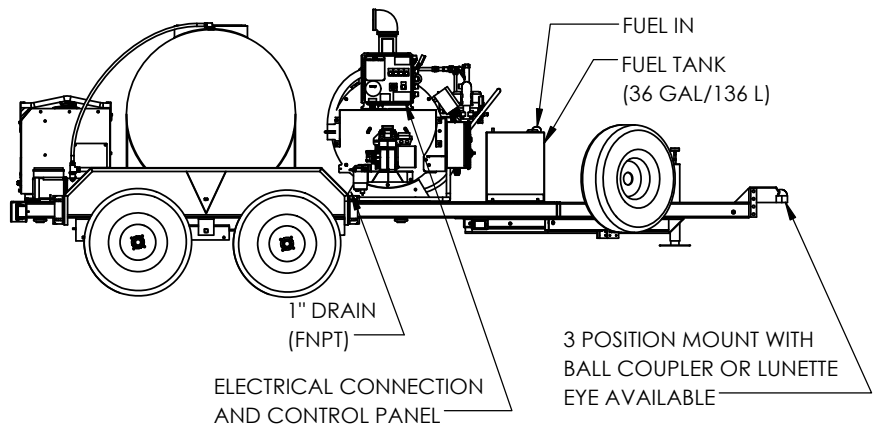
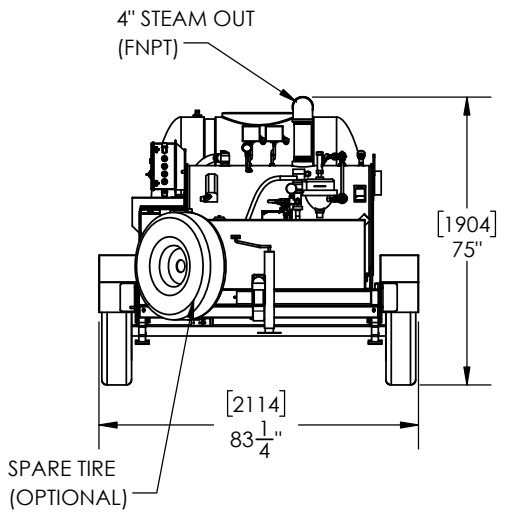
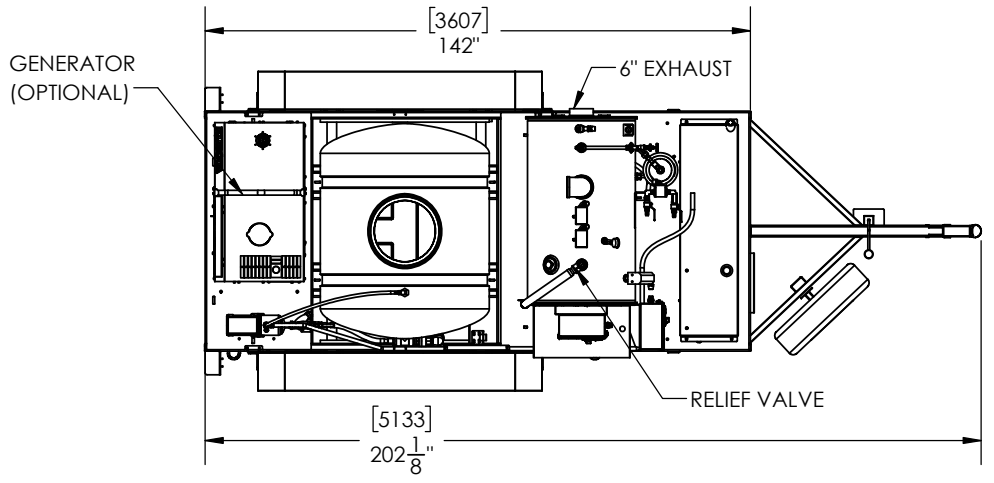
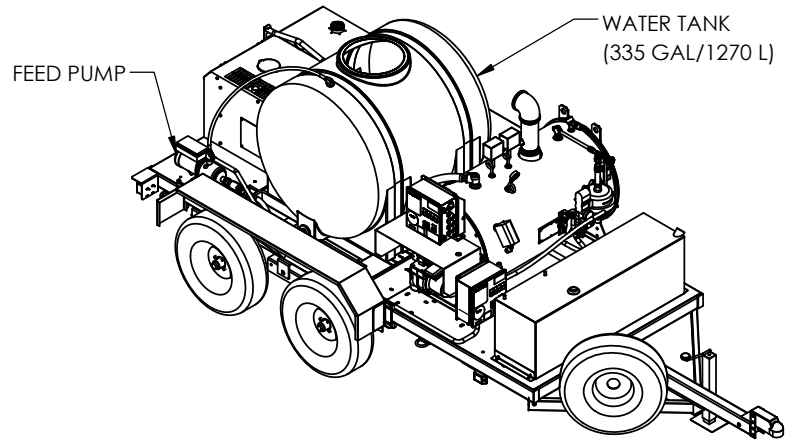


|                   |                |      |
|-------------------|----------------|------|
| MODEL             | APPROX. WEIGHT |      |
|                   | LB             | KG   |
| SF11 - DTTM (DRY) | 3100           | 1450 |
| SF11 - DTTM (WET) | 6650           | 3050 |

WHEELS: STEEL 15" X 6"  
 5 BOLT 4.5" B.C.  
 TIRES: 205-75-15 C-RATED  
 AXLE: TANDEM 3500#  
 SPIRNGS: SLIPPER LEAF SPRINGS  
 BRAKES: ELECTRIC DRUM  
 PLUG: 7-WAY FLAT BLADE  
 GVWR: 7000 LBS



DWG. NO. GA24096  
 REV. A-02  
 SHEET 1/1

**PROPRIETARY AND CONFIDENTIAL**  
 THE INFORMATION CONTAINED  
 IN THIS DRAWING IS THE SOLE  
 PROPERTY OF SIOUX CORP.  
 ANY REPRODUCTION IN PART OR  
 AS A WHOLE WITHOUT WRITTEN  
 PERMISSION OF SIOUX CORP  
 IS PROHIBITED.

UNLESS NOTED:  
 DIMENSIONS IN  
 INCHES. (mm) FOR  
 REFERENCE ONLY.

TOLERANCES  
 LINEAR: ±1/2"  
 ANGULAR: ±2°

THIRD-ANGLE PROJECTION

**SIOUX CORPORATION**  
 ONE SIOUX PLAZA, BERESFORD, SD 57004

SF11D - DTTM

GA24096 - SF11D - DTTM

**GA24096**

SCALE 1:50

REV. **A-02** SH 1/1

|      |                        |          |    |
|------|------------------------|----------|----|
| A-02 | UPDATED NOTES/CALLOUTS | 08/10/21 | JS |
| A-01 | ORIGINAL               | 05/27/21 | JZ |
| REV. | DESCRIPTION            | DATE     | BY |

DO NOT SCALE DRAWING