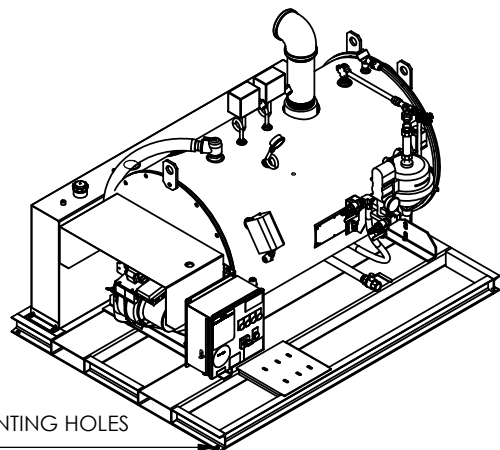


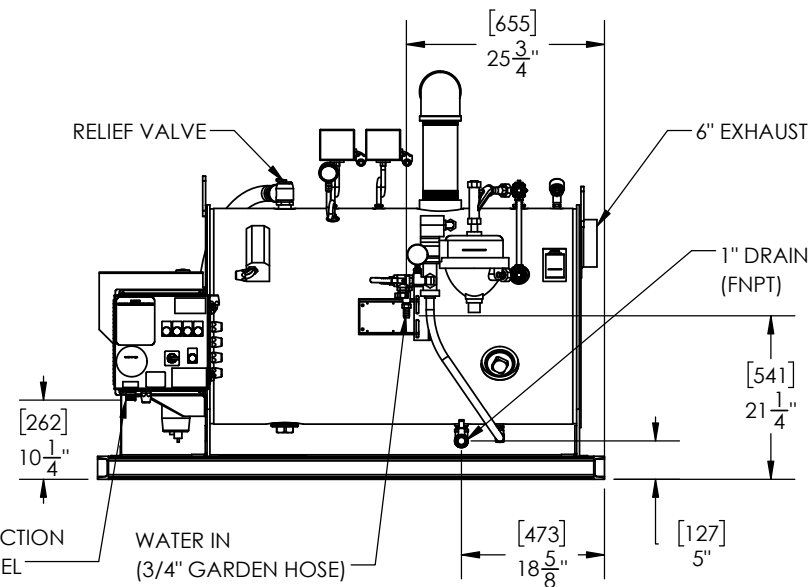
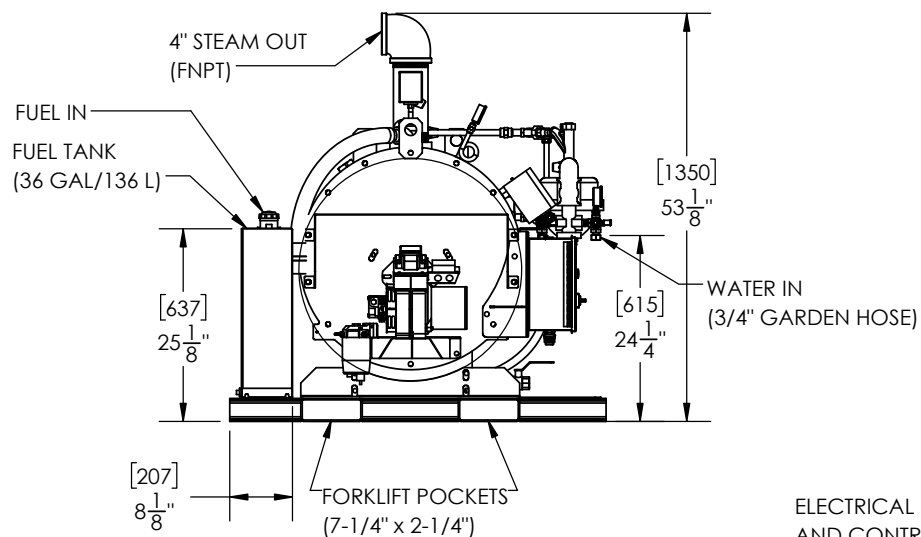
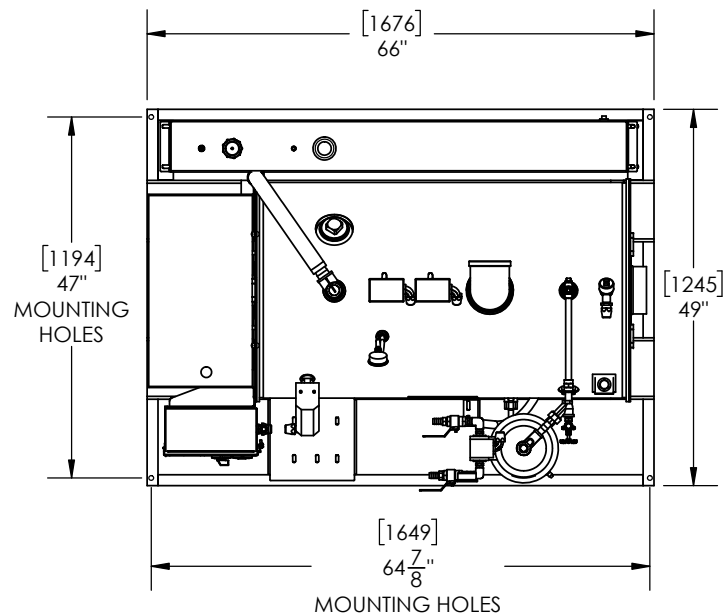
| MODEL | APPROX. WEIGHT | |
|-------------------|----------------|------|
| | LB | KG |
| SF-11D SKID (DRY) | 1900 | 900 |
| SF-11D SKID (WET) | 2650 | 1250 |

SUGGESTED MINIMUM CLEARANCES FOR SERVICE ACCESS ARE
48" (1200mm) FOR THE ENDS AND 24" (600mm) ALONG EACH SIDE



FLOOR MOUNTING HOLES
(4 TOTAL)

[16]
Ø 5/8"



PROPRIETARY AND CONFIDENTIAL
THE INFORMATION CONTAINED IN THIS DRAWING IS THE SOLE PROPERTY OF SIOUX CORP. ANY REPRODUCTION IN PART OR AS A WHOLE WITHOUT WRITTEN PERMISSION OF SIOUX CORP IS PROHIBITED.

UNLESS NOTED:
DIMENSIONS IN INCHES. (mm) FOR REFERENCE ONLY.
TOLERANCES
THIRD-ANGLE PROJECTION
LINEAR: ±1/2"
ANGULAR: ±2°

DRN JS 5/27/2021
CHK JZ 5/27/2021
QC

SIOUX CORPORATION

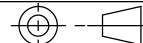
ONE SIOUX PLAZA, BERESFORD, SD 57004

SF-11D SKID MOUNTED

GA24062 - SF11 Oil Skid Mounted

| REV. | DESCRIPTION | DATE | BY |
|------|------------------------|----------|----|
| A-02 | UPDATED NOTES/CALLOUTS | 08/03/21 | JS |
| A-01 | ORIGINAL | 05/27/21 | JZ |

DO NOT SCALE DRAWING



GA24062

REV A-02

SH 1/1

PWG. NO. GA24062
REV A-02
SHEET 1/1