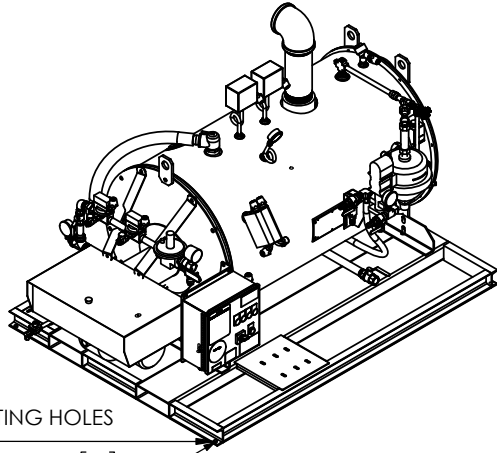


MODEL	APPROX. WEIGHT	
	LB	KG
SF11G SKID (DRY)	1550	700
SF11G SKID (WET)	2000	950

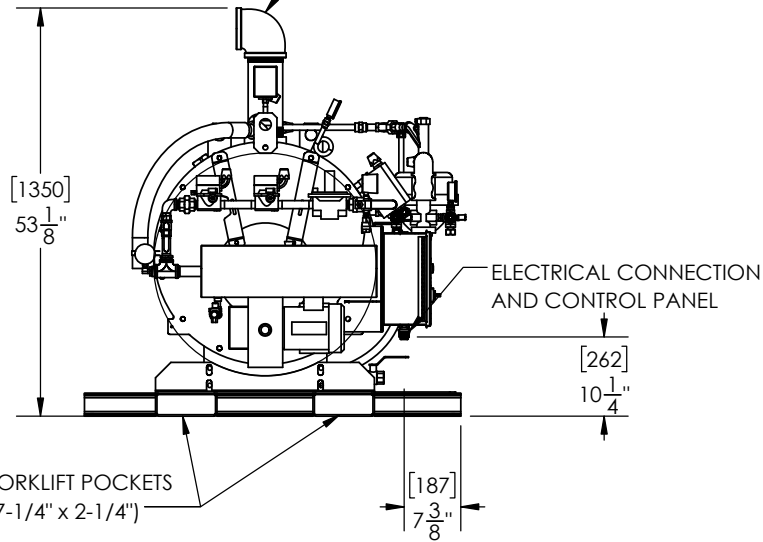
SUGGESTED MINIMUM CLEARANCES FOR SERVICE ACCESS ARE 48" (1200mm) FOR THE ENDS AND 24" (600mm) ALONG EACH SIDE



FLOOR MOUNTING HOLES
(4 TOTAL)

[16]
Ø 5/8"

4" STEAM OUT
(FNPT)



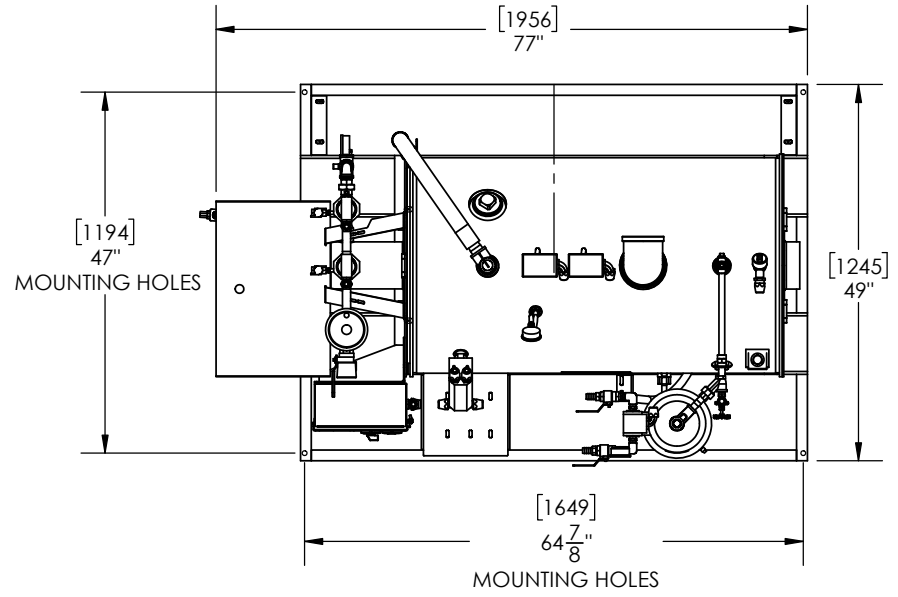
[1350]
53 1/8"

ELECTRICAL CONNECTION
AND CONTROL PANEL

[262]
10 1/4"

FORKLIFT POCKETS
(7-1/4" x 2-1/4")

[187]
7 3/8"

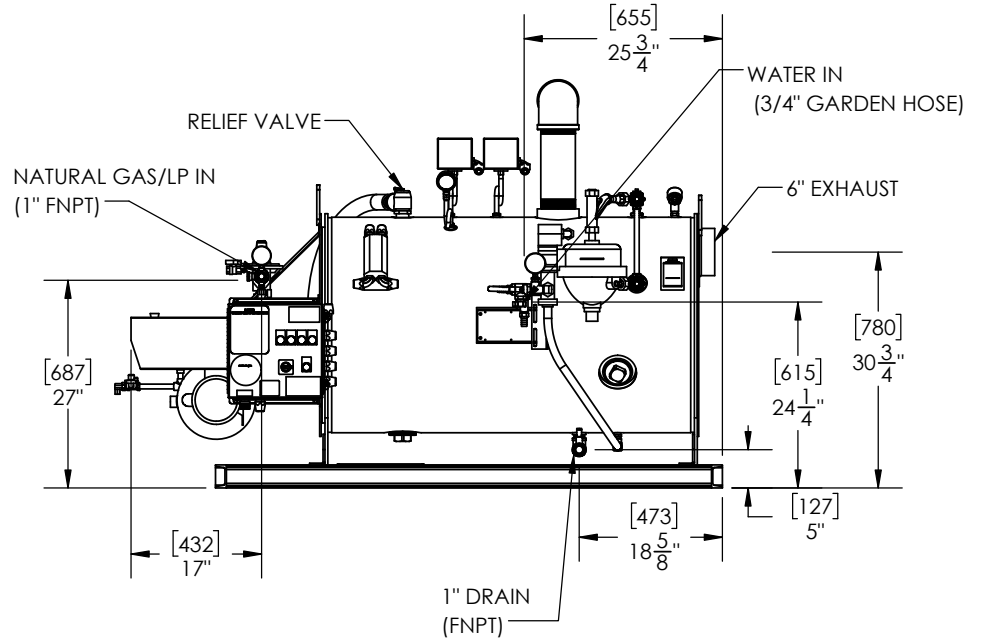


[1194]
47"
MOUNTING HOLES

[1956]
77"

[1245]
49"

[1649]
64 7/8"
MOUNTING HOLES



RELIEF VALVE

NATURAL GAS/LP IN
(1" FNPT)

WATER IN
(3/4" GARDEN HOSE)

6" EXHAUST

[687]
27"

[780]
30 3/4"

[615]
24 1/4"

[432]
17"

[473]
18 5/8"

[127]
5"

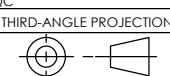
1" DRAIN
(FNPT)

PROPRIETARY AND CONFIDENTIAL
THE INFORMATION CONTAINED
IN THIS DRAWING IS THE SOLE
PROPERTY OF SIOUX CORP.
ANY REPRODUCTION IN PART OR
AS A WHOLE WITHOUT WRITTEN
PERMISSION OF SIOUX CORP
IS PROHIBITED.

UNLESS NOTED:
DIMENSIONS IN
INCHES. (mm) FOR
REFERENCE ONLY.

DRN JS 5/27/2021
CHK JZ 5/27/2021
QC

TOLERANCES
LINEAR: ±1/2"
ANGULAR: ±2°



SIOUX CORPORATION

ONE SIOUX PLAZA, BERESFORD, SD 57004

SF-11G SKID MOUNT

GA24063 - SF11 Gas Skid Mounted

REV.	DESCRIPTION	DATE	BY
A-02	UPDATED NOTES/CALLOUTS	08/03/21	JS
A-01	ORIGINAL	05/27/21	JZ

DO NOT SCALE DRAWING

GA24063

REV A-02

SH 1/1

DWG NO. GA24063 REV A-02 SHEET 1/1